



LAREDO

ROMOTOP spol. s r.o.

Komenského 325

742 01 Suchdol nad Odrou

Czech Republic

tel.: +420 556 770 999

fax: +420 517 075 894

e-mail: info@romotop.cz

LAREDO 01 Ceramics
Keramik
Céramique
Ceramica

LAREDO 02 Serpentine
Serpentin
Serpentin
Serpentino

LAREDO 03 Sheet steel
Blech stahl
Tôle d'acier
Lamiara d'acciaio

LAREDO 04 Sandstone
Sandstein
Grès
Arenaria

EN DE FR IT

Technical sheet, Technisches Datenblatt, Fiche technique, Scheda tecnica

| EN | DE | FR | IT | |
|---|--|--|---|--------------------------------|
| Product name | Produktbezeichnung | Nom du produit | Nome prodotto | LAREDO 01 |
| Dimensions HxWxD (mm) | Maße HxBxT (mm) | Dimensions HxLxP (mm) | Dimensioni AxLxP (mm) | 996x528x398 |
| Weight (kg) | Gewicht (kg) | Poids (kg) | Peso (kg) | 127 |
| Product name | Produktbezeichnung | Nom du produit | Nome prodotto | LAREDO 02 |
| Dimensions HxWxD (mm) | Maße HxBxT (mm) | Dimensions HxLxP (mm) | Dimensioni AxLxP (mm) | 996x528x398 |
| Weight (kg) | Gewicht (kg) | Poids (kg) | Peso (kg) | 139 |
| Product name | Produktbezeichnung | Nom du produit | Nome prodotto | LAREDO 03 |
| Dimensions HxWxD (mm) | Maße HxBxT (mm) | Dimensions HxLxP (mm) | Dimensioni AxLxP (mm) | 974x528x398 |
| Weight (kg) | Gewicht (kg) | Poids (kg) | Peso (kg) | 118 |
| Product name | Produktbezeichnung | Nom du produit | Nome prodotto | LAREDO 04 |
| Dimensions HxWxD (mm) | Maße HxBxT (mm) | Dimensions HxLxP (mm) | Dimensioni AxLxP (mm) | 996x528x398 |
| Weight (kg) | Gewicht (kg) | Poids (kg) | Peso (kg) | 127 |
| Flue pipe diameter (mm) | Rauchabfuhrdurchmesser (mm) | Diamètre du conduit de fumée (mm) | Diametro del condotto fumi (mm) | 150 |
| CAI diameter (mm) | CPV-Durchmesser (mm) | Diamètre de l'AAC (mm) | Diametro ACA (mm) | 120 |
| Air regulation Primary=1 / Secondary=2 | Luftregulierung Primär=1 / Sekundär=2 | Régulation de l'air primaire=1 / secondaire=2 | Regolazione aria Primaria=1 / Secondaria=2 | 1 / 2 |
| Filling volume (litres) | Füllungsgewicht (Liter) | Volume du remplissage (litres) | Volume del riempimento (litri) | - |
| Nominal output (kW) | Nennleistung (kW) | Rendement nominal (kW) | Potenza nominale (kW) | 4 6 |
| Total regulated output (kW) | Reg. Gesamtleistung (kW) | Rendement régulé total (kW) | Potenza totale regolata (kW) | 3 – 8 |
| Exchanger output (kW) | Austauscherleistung (kW) | Rendement de l'échangeur (kW) | Potenza dello scambiatore (kW) | - |
| Regulated output of the hot water exchanger (kW) | Reg. Leistung des Warmwassertauschers (kW) | Rendement régulé de l'échangeur à eau chaude (kW) | Potenza regolata dello scambiatore ad acqua calda (kW) | - |
| Max. operating overpressure (kPa) | Max. Betriebsdruck (kPa) | Surpression de fonctionnement max. (kPa) | Pressione d'esercizio massima (kPa) | - |
| Average heating capacity (m ³) | Mittlere Heizfähigkeit (m ³) | Capacité de chauffage moyenne (m ³) | Capacità termica media (m ³) | 60-120 |
| Average wood consumption (kg/h) | Durchschnittlicher Holzverbrauch (kg/h) | Consommation de bois moyenne (kg/h) | Consumo medio di legna (kg/ora) | 1,2 |
| Max. allowed wood batch (kg/h) | Max. erlaubte Holzladung (kg/h) | Dose de bois autorisée max. (kg/h) | Dose massima di legna consentita (kg/ora) | 2,1 |
| The greatest height of the filling – 1/3 of the firebox | Höchster Füllstand – 1/3 der Feuerraumhöhe | Hauteur maximale de la charge – 1/3 de la hauteur du foyer | Altezza massima caricamento – 1/3 dell'altezza del braciere | |
| Fuel supply interval for the rated output | Zeitabstand der Brennstoffbeschickung für die Nennleistung | Intervalle d'ajout du combustible pour la puissance nominale | Intervallo fornitura combustibile per potenza nominale | 1 (hod, godz., ч) |
| Fuel supply interval for the rated output | Zeitabstand der Brennstoffbeschickung für die Nennleistung | Intervalle d'ajout du combustible pour la puissance nominale | Intervallo fornitura combustibile per potenza nominale | Ruční / Ručné, manual / Ручной |
| Fuel delivery method | Art der Brennstoffbeschickung | Méthode d'ajout du combustible | Modalità fornitura combustibile | dřevo / drevo drewno / дерево |
| Automatic doors yes=1 / no=2 | Schlagtür ja=1 / nein=2 | porte auto-refermable oui=1 / non=2 | Sportello con chiusura automatica si=1 / no=2 | 1 |

| | | | | | |
|---|--|--|--|--------|--------|
| Door design Right=1 / Left=2 | Türausführung Rechts=1 / Links=2 | Réalisation de la porte Droite=1 / Gauche=2 | Versione dello sportello Destra=1 / Sinistra=2 | 2 | |
| Chimney draft (Pa) | Kaminzug (Pa) | Tirage de la cheminée (Pa) | Tiraggio del camino (Pa) | 12 | |
| Mass flow rate of dry flue gases (g/s) | Massendurchfluss der trockenen Abgase (g/s) | Débit massique des résidus de combustion secs (g/s) | Flusso peso combustibile secco (g/s) | 4 | 6,9 |
| The concentration of CO in the flue gases at O ₂ = 13% | CO Konzentration in den Abgasen bei O ₂ = 13% | Concentration en CO dans les résidus de combustion pour O ₂ = 13% | Concentrazione CO nei gas comburenti all'O ₂ = 13 % | 0,0954 | 0,0895 |
| The concentration of CO in the flue gases at O ₂ = 13% (mg/Nm ³) | CO Konzentration in den Abgasen bei O ₂ = 13% (mg/Nm ³) | Concentration en CO dans les résidus de combustion pour O ₂ = 13% (mg/Nm ³) | Concentrazione CO nei gas comburenti all'O ₂ = 13 % (mg/Nm ³) | 1192 | 1118 |
| The concentration of CO in the flue gases at O ₂ = 0% (mg/MJ) | CO Konzentration in den Abgasen bei O ₂ = 0% (mg/MJ) | Concentration en CO dans les résidus de combustion pour O ₂ = 0% (mg/MJ) | Concentrazione CO nei gas comburenti all'O ₂ = 0 % (mg/MJ) | 830 | 775 |
| Dust at O ₂ = 13% (mg/Nm ³) | Staub bei O ₂ = 13 % (mg/Nm ³) | Poussière pour O ₂ = 13% (mg/Nm ³) | Polvere all'O ₂ = 13 % (mg/Nm ³) | 15 | 35 |
| Average flue-gas temperature (°C) | Durchschnittliche Abgastemperatur hinter dem Stutzen (°C) | Température moyenne des résidus de combustion derrière la tubulure (°C) | Temperatura media gas comburenti dietro la bocca (°C) | 332 | 252 |
| Efficiency (%) | Wirksamkeit (%) | Efficacité (%) | Efficienza (%) | 80 | |

| EN | DE | FR | IT | |
|---|--|---|--|---|
| Supplied accessories | Mitgeliefertes Zubehör | Accessoires fournis | Accessori forniti | |
| Automatic ventilation valve yes=1 / no=2 | Automatisches Entlüftungsventil ja=1 / nein=2 | Vanne d'aération automatique oui=1 / non=2 | Valvola di scarico automatica si=1 / no=2 | 2 |
| Cooling valve yes=1 / no=2 | Abkühlventil ja=1 / nein=2 | Vanne de refroidissement oui=1 / non=2 | Valvola di raffreddamento si=1 / no=2 | 2 |
| Temperature sensor tank yes=1 / no=2 | Temperaturfühlerschacht ja=1 / nein=2 | Bac de sonde thermique oui=1 / non=2 | Carter del sensore di temperatura si=1 / no=2 | 2 |
| Cover with insulation yes=1 / no=2 | Abdeckung mit Isolierung ja=1 / nein=2 | Couvert avec isolation oui=1 / non=2 | Copertura con isolamento si=1 / no=2 | 2 |
| Chimney brush yes=1 / no=2 | Kaminbürste ja=1 / nein=2 | Brosse à cheminée oui=1 / non=2 | Spazzola camino si=1 / no=2 | 2 |
| Holder with magnet yes=1 / no=2 | Handschuh mit Magnet ja=1 / nein=2 | Gant de protection avec aimant oui=1 / non=2 | Presina con calamita si=1 / no=2 | 1 |



Komenského 325, 742 01 Suchdol n. O.

Production number

Thermal output

Efficiency

CO emissions at 13% O₂

Dust at 13% O₂

Fuel

Waste air temperature

Chimney draft

Safe distance from flammable materials:

Typ

LAREDO

| | |
|--------|--------|
| | |
| 4 | 6 |
| 80 | 80 |
| 0,0954 | 0,0895 |
| 15 | 35 |
| Wood | |
| 332 | 252 |
| 12 | |

kW

%

%

mg/m³

°C

Pa

| | | |
|-------|----|----|
| Front | 80 | cm |
| Side | 10 | cm |
| Back | 10 | cm |

Before the first heating read the operation instructions and observe the operation precautions contained in them! Only use the prescribed fuel! The appliance is not designed for permanent heating operation! The equipment cannot be connected to a common chimney!

EN 13 240/A2
DIN 18 891
15a B-VG



VKF



Komenského 325, 742 01 Suchdol n. O.

Numéro de fabrication

Puissance

Efficacité

CO Emission au 13% O₂

Poussière au 13% O₂

Carburant

empérature des gaz d'évacuation

Tirage de la Cheminée

Distance de sécurité matériaux inflammables:

Typ

LAREDO

| | |
|--------|--------|
| | |
| 4 | 6 |
| 80 | 80 |
| 0,0954 | 0,0895 |
| 15 | 35 |
| Bois | |
| 332 | 252 |
| 12 | |

kW

%

%

mg/m³

°C

Pa

| | | |
|--------------|----|----|
| Avant | 80 | cm |
| Latéralement | 10 | cm |
| Arrière | 10 | cm |

Avant de chauffer pour la première fois, veuillez étudier le guide d'utilisation et respecter les principes de fonctionnement indiqués! N'utilisez que le combustible prescrit! L'appareil n'est pas conçu pour une combustion continue! L'appareil ne peut être raccordé à une cheminée commune!

EN 13 240/A2
DIN 18 891
15a B-VG



VKF



Komenského 325, 742 01 Suchdol n. O.

Fertigungsnummer

Leistung

Wirkungsgrad

CO Emission bez.auf 13% O₂

Staub bez.auf 13% O₂

Brennstoffe

Abgastemperatur

Kaminzug

Sicherheitsabstand von brennbaren Werkstoffen:

Typ

LAREDO

| | |
|--------|--------|
| | |
| 4 | 6 |
| 80 | 80 |
| 0,0954 | 0,0895 |
| 15 | 35 |
| Holz | |
| 332 | 252 |
| 12 | |

kW

%

%

mg/m³

°C

Pa

| | | |
|----------|----|----|
| Vorne | 80 | cm |
| Seitlich | 10 | cm |
| Hinten | 10 | cm |

Lesen Sie vor dem ersten Einheizen die Bedienungsanleitung und halten Sie sich an die angeführten Betriebsgrundsätze! Verwenden Sie nur vorgeschriebene Brennstoffe! Das Verbrauchsgerät ist nicht für einen Dauerheizbetrieb geeignet! Das Verbrauchsgerät darf nicht an einen gemeinsamen Rauchfang angeschlossen werden!

EN 13 240/A2
DIN 18 891
15a B-VG



VKF



Komenského 325, 742 01 Suchdol n. O.

Numero di produzione

Performance

Efficienza

Emissioni di CO 13% O₂

Polvere di 13% O₂

Combustibili

Temperatura del gas di scarico

Tiraggio del camino

Distanze di sicurezza da eventuali materiali infiammabili:

Typ

LAREDO

| | |
|--------|--------|
| | |
| 4 | 6 |
| 80 | 80 |
| 0,0954 | 0,0895 |
| 15 | 35 |
| Legno | |
| 332 | 252 |
| 12 | |

kW

%

%

mg/m³

°C

Pa

| | | |
|----------|----|----|
| Avanti | 80 | cm |
| Indietro | 10 | cm |
| Dietro | 10 | cm |

Leggere attentamente il Libretto d'uso prima della prima accensione ed osservare i principi di funzionamento! Utilizzare solo combustibile prescritto! Il prodotto non è indicato per essere acceso in continuazione! Il prodotto non può essere collegato alla canna fumaria comune!

EN 13 240/A2
DIN 18 891
15a B-VG



VKF

General installation and operation manual for Romotop fireplace stoves

- valid in general for all types of fireplace stoves manufactured by Romotop spol. s.r.o.
The attached technical sheet lists detailed technical data for each type of fireplace stove.

The fireplace stoves may only be operated in accordance with this manual!
No unauthorized changes may be performed on the fireplace stoves!

1. Introduction
2. Technical description
3. Safety regulations
 - 3.1 Safe distances
 - 3.1.1 Safe distance of fireplace stoves from flammable materials
 - 3.1.2 Safe distance of flue pipes from flammable materials and building constructions
 - 3.2 Floor protection
 - 3.3 Chimney fire prevention measures
4. Assembly regulations
 - 4.1 General
 - 4.2 Chimney connection
 - 4.3 Connection of fireplace stoves with exchanger to the heating system
5. Operation manual
 - 5.1 Fuel
 - 5.2 Starting the fireplace stove for the first time
 - 5.3 Kindling and firing
 - 5.4 Stoking fuel
 - 5.5 Operation during the transition period
 - 5.6 Ash removal
 - 5.7 Cleaning the glass
6. Cleaning and maintenance
 - 6.1 Cleaning the fireplace stoves / disassembly of chamotte
 - 6.2 Cleaning the warm water exchanger
 - 6.3 Cleaning the chimney
7. Disposal of covers and the discarded product
8. Repairs and warranty claims
9. Warranty certificate
10. Transfer protocol

1. Introduction

Thank you for purchasing our fireplace stove and congratulations for becoming the owners of top-notch fireplace stoves by Romotop spol. s.r.o., one of the forefront European manufacturers of fireplace heaters.

Our fireplace stoves can function as additional heating to augment the atmosphere of your home or recreational building or as the main source of environmentally-friendly heating with high heat output, dust-free operation and perfect combustion. All fireplace heaters produced by our company are tested in accordance with **ČSN EN 13 240/2002+A2/2005**.

Please read through the manual and technical sheet thoroughly. The user is obliged to get properly acquainted with proper installation and operation of this device with regards to its safe operation. Please keep the manual and technical sheet so that you can brush up all the information necessary for the correct operation of your fireplace stove before each heating season.

We only provide a warranty on our products if all the instructions listed in this operation manual are adhered to.

2. Technical description

Fireplace stoves are intended for installation into various interiors (apartments, recreation buildings, restaurants). Romotop fireplace stoves are manufactured from quality construction materials – cast metal, CORTEN steel and quality construction and fittings steel, with stressed parts made of HARDOX steel. The surface of steel constructions is protected by a refractory opaque paint. Refractory paints are not anti-corrosive. The combustion chamber of full-plate fireplace stoves is padded by removable chamotte desks, which are not connected by any paste material to prevent damage by heat dilatation. The combustion chamber can be firmly closed by doors with special heat-resistant glass. The glass not only increases the aesthetics of the flickering flames, but also facilitates pleasant heat radiation. The glass also prevents the sparks from the burning wood and smoke from entering the room. The floor of the combustion chamber is usually equipped with a removable cast-iron grate. Usually, a barrier, or alternatively a sheet metal or ceramic mould, is placed in front of the grate to prevent the fuel falling and sliding onto the doors (front window). Grate fireplaces include room for an ashpan under the grate. Some types allow custom-configuration of the flue pipe throat for top- or back-side exhaustion. The fireplace stoves are manufactured with dual coating. The area between the coatings is used for air heating. The upper part of the outer coating includes vents for the heated air. The outer coating may include ceramics or stone to highlight the design and improve the heat accumulation properties of the fireplace stove. Some types of fireplace stoves have adapted the double-coating construction to heat warm service water with an optional connection to the standard heating system. These fireplace stoves may be equipped with a cooling loop to avoid overheating in case of power outages.

Fireplace stoves equipped with a separate intake of primary and secondary combustion air include the appropriate control elements. The primary air is taken to the burning fuel (usually through the ashpan and grate) and is used for primary combustion. The secondary air supports combustion of residual combustible gases in the exhaust, increasing the output of the heater and significantly reduces the amount of pollutants escaping into the atmosphere. The secondary air is mostly taken to the area above the burning fuel. Its presence causes the cold air to roll around the inner side of the front glass. This process simultaneously prevents the blackening of the front glass. The secondary air also participates in the primary combustion process when the primary air intake is partially or completely sealed. Keep the primary air intake fully open at the beginning of the combustion process, when the chimney draft is still weak. After the chimney heats up, you can partially or even completely close the primary air intake, based on the target output of the fireplace stove. It is also possible to reduce the fueling or limit the chimney draft by attaching a smoke shutter (a manual shutter in the flue pipe limiting the air intake to at most **75%**) to reduce the output of the fireplace stove. This is recommended especially for chimney draft around and above **20Pa**. The secondary damper is intended to fully close the stove when it is not in operation. The fireplace and ashpan covers must always be closed except for starting operation, adding fuel and removing solid combustion remnants to prevent exhausts entering the room.

Some fireplace stoves are equipped with a heat accumulation exchanger, improving the efficiency of the fireplace stoves and maximally utilizing the fuel energy.

Some fireplace stoves are manufactured with a central air intake (CAI). This allows air to flow into the combustion chamber in the fireplace stove from the exterior, halls, technical rooms etc. Fireplace stoves with a CAI are not dependant on the amount of air in the heated area. Thus, they not only contribute to a pleasant atmosphere in your home, but also reduce energy expenses (since heated air already in the room is not consumed).

Fireplace stoves with CAI are very suitable for installation into low-energy houses. It is also possible to equip the heating system of some fireplace stoves with CAI with electronic combustion regulation to increase comfort. This can additionally increase the combustion process and stoking intervals, increase operation safety and prevent uneconomic heating and over-heating of fireplace stoves (the shutter of the central air intake is controlled by a control unit and servomotor in relation to the current combustion phase and output exhaust temperature).

Warning: The fireplace stoves are not manufactured to provide continual heating and are intended for periodic interrupted operation, mostly due to the need to empty the ashpan when the ash has cooled down.

3. Safety regulations

The fireplace stoves may be used in normal environments in accordance with ČSN 33 2000-3/1995. In case of change of environment that could cause a temporary danger of fire or explosion (e.g. gluing linoleum, PVC, working with paints, etc), the fireplace stove must be put out of operation in time, i.e. before the occurrence of the dangerous situation. Furthermore, the fireplace stoves can be used only after the room is thoroughly aired, preferably by wind draft.

A supply of sufficient amount of combustion air and room ventilation air must be ensured when the fireplace stoves are in operation, especially with another heat device running simultaneously (approx. 8 to 15 m³ for burning 1 kg of fuel)! When doors and windows are tightly sealed, this might not be the case! This is solved by a CAI connected into a separate room. The regulation grate for combustion, ventilation and heating air must not be obstructed. When stoking fuel, always open the door very slowly. You will prevent smoke and ash from escaping into the room. The fireplace stoves require casual attendance and inspection.

Flammable fuels must not be used for stoking or heating! In addition, burning plastic material of any kind, wood materials with various chemical bonding agents (chipboards, etc) or unsorted domestic waste with remaining plastics is prohibited by law no. 201/2012.

Make sure to prevent children from handling the fireplace stoves during heating. The fireplace stove may only be operated by an adult person!

During heating all handles and knobs must be operated using a pair of tongs, hook or by a hand protected by a glove (pot-holder) - there's a danger of burns! Objects made from flammable materials that could be set on fire must not be stored on the fireplace stoves during operation and while hot. Please pay special attention when handling the ashpan and when removing hot ash due to danger of burns! The hot ash must not get in contact with flammable objects - e.g. when throwing in communal waste containers.

When the fireplace stove is used only seasonally and with unfavorable draft or weather conditions, special attention must be paid when putting the stove into operation. When the fireplace stove is not in operation for a longer period of time, the flue ways must be checked for obstructions before further operation.

The appropriate safety regulations for fireplace stove operation and installation must be adhered to in accordance with ČSN 06 1008/1997, especially:

3.1 Safe distance:

3.1.1 Safe distance of fireplace stoves from flammable materials

When installing the fireplace stove in a place containing flammable materials belonging to class B, C1 and C2, the required safe distance in accordance with ČSN 06 1008/1997 is 80cm from doors and 20cm in other directions, unless otherwise specified by the manufacturer refer to the **Technical sheet and the Name plate**.

When installing the fireplace stove in a place containing flammable materials belonging to class C3, the distance must be doubled. Information on the degree of flammability of certain building materials is listed in ČSN 73 0823/1983. When the prescribed safe distance of the heater from the flammable materials cannot be kept, it is necessary to use a protective screen according to 4.4.1 ČSN 06 1008/1997.

Building materials sorted by grade of flammability

A non-flammable granite, sandstone, concrete, bricks, ceramic tiles, special plasters

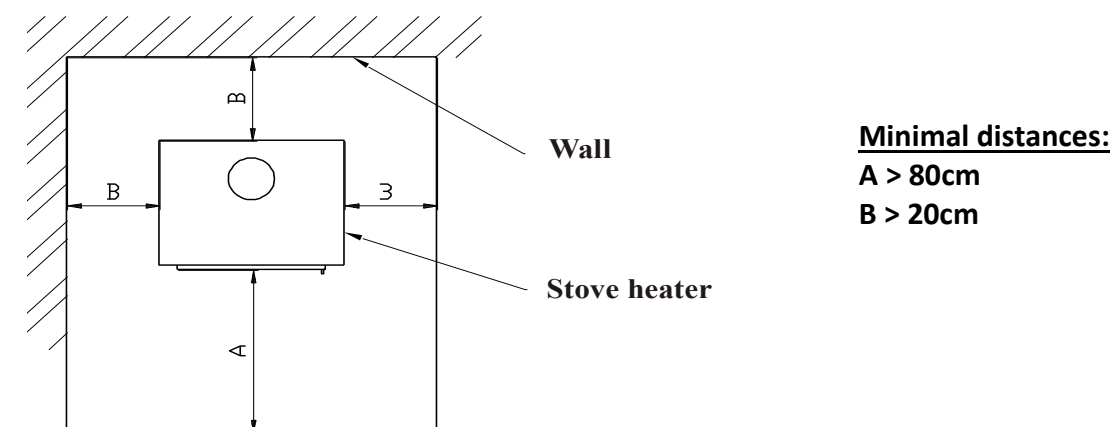
B not easily flammable Akumin, Heraklith, Lignos, Itaver

C1 hardly flammable hardwood, plywood, Sirkolit, hardened paper, Umakart

C2 medium flammable chipboards, Solodur, cork boards, rubber, flooring

C3 easily flammable fibreboards, polysterene, polyurethane

Figure 1



3.1.2 Safe distance of chimneys from flammable materials and building constructions

The safe distance from door case covers and similarly located building constructions from flammable materials and from pipeline installation including its insulation is at least 20cm. The safe distance from other flammable parts of the building construction at least 40cm (see fig.2) according to ČSN 06 1008/1997. This includes building materials belonging to classes B, C1 and C2 as defined in ČSN EN 13501-1/2010 (see table no.1) The same applies for walls and especially ceilings with plaster on a flammable surface, e.g. crates, planks, etc.! When the prescribed safe distances cannot be kept, the danger of fire must be prevented through construction solutions, non-flammable applications, heat-resistant insulations or protection screens.

3.2 Floor protection

Unless the fireplace stove is installed on a 100% non-flammable floor, it is necessary to place the stove on a non-flammable insulation mat, e.g. metal plate (at least 2mm thick), ceramics, hardened glass, stone, in order to prevent the flammable floor to exceed a temperature of 50°C during operation in accordance with ČSN 73 4230/2004.

According to 5.1.3.3 of ČSN 06 1008/1997, the insulation mat must exceed the fireplace by at least

- 30cm in the vertical direction from the stove stoking door.
- 10cm in the horizontal direction from the stove stoking door.

Items made of flammable materials may not be placed on top of or at a less-than-safe distance from the fireplace stoves.

3.3 Chimney fire prevention measures:

Ordinary operation, especially with humid fuel, leads to the settling of ash and tar in the chimney. Neglecting regular checking and cleaning of the chimney **in accordance with the government regulation no. 91/2010 from 1st March 2010 supplying regulation no. 111/1998 Coll.** increases the danger of fire.

In case of ash or tar catching fire in the chimney, please follow this procedure:

- do not under any circumstances extinguish the fire with water as it would create an abnormal amount of steam and subsequently rip the chimney open
- if possible, the combustion chamber should be covered with dry sand, which will extinguish the fire
- close all intakes of air for combustion; if possible, cover the chimney. However, the smoke must not accumulate back in the house
- contact your nearest fire fighting brigade to assess the situation and the necessity to report it as a fire fighting emergency
- do not leave the house until the chimney is burned up; regularly check the chimney temperature and the course of combustion
- contact a chimney service before starting a new fire in the stove to assess the state of the chimney and also contact the manufacturer of the fireplace stove for inspection.

4. Assembly regulations

Warning: All local regulations, including regulations concerning national and European standards for this type of appliances, must be adhered to:

- ČSN 73 4230/2004 - Fireplaces with open and closable furnace
- ČSN EN 13229/2002+A1/2003+A2/2005 - Built-in heating appliances and open fire inserts for solid fuel
- ČSN EN 13240/2002+A2/2005 - Room heaters fired by solid fuel
- ČSN 73 4201/2010 - Chimneys and connecting flue pipes - Design, construction and installation of heating appliances
- ČSN EN 1443/2004 - Chimneys – General requirements
- ČSN EN 13501/2010 - Fire classification of construction products and building elements
- ČSN 06 1008/1997 - Fire protection of heating appliances

4.1 General

The fireplace stoves must be installed on a floor with an adequate bearing capacity. If the existing arrangement does not meet this basic requirement, necessary steps must be taken (e.g. using a mat for distributing the load). Make sure that there is enough space for cleaning the fireplace stove, connecting flue pipes and the chimney unless the chimney can be cleaned from other place, e.g. a roof or through doors designed for this purpose.

4.2 Chimney connection

Before assembling the closed fireplace stove it is necessary to calculate that the chimney construction will be suitable for the installed fireplace stove nominal output as far as design, vent size and effective height are concerned.

A suitable chimney (minimum profile, chimney draft, tightness, etc.) is a basic condition for the proper functioning of the fireplace stoves. You should therefore contact a chimney sweeper before installing the

fireplace stove. Chimney values are included in the attached technical sheet. A smoke shutter or a draft regulator should be installed for chimneys with too strong a draft. Such a draft can cause problems during operation, e.g. intensive burning, high fuel consumption and can also lead to permanent damage of the fireplace stove.

The minimum effective height of the chimney for exhaust gas from the stove is **5m** (measured from the hoop to the chimney mouth). The chimney entry must be equipped with a chimney hoop. Consult the vent connection with the vent manufacturer. The vents must lead at least **5cm** below the lower ceiling. Connect the flue mouth with the chimney in the shortest possible way so that the flue length is at most **1/4** of the effective height of the chimney (i.e. **1.5m**). Connect the flue tube and the knee together with an overlap in such a way that the connections always agree with the exhaust gas flow, or abut using the connection rings. If the connecting piece passes through construction elements with flammable materials, it is necessary to use protective measures in accordance with **ČSN 06 1008/1997**. The norm states that the flue pipe needs to rise to the vents in the direction of exhaust flow with a degree of at least **3°**. The tightness and firmness of the joints is crucial. The chimney and stove connection must adhere to **ČSN 73 4201/2010**. The casing of the chimney must not exceed a temperature of **52°C** during the highest operation temperature of the stove. The cross section of the flue pipe vents must not be larger than the cross section of the chimney vent and it must not narrow down in the direction of the chimney. If calculations show that the cross section of the flue pipe and chimney vent could be smaller than the cross section of the exhaust throat of the fireplace stove, the cross section of the flue pipes will be lowered immediately behind the exhaust throat of the fireplace stove, either gradually or at a discrete point. The flexible flue pipe from the materials in accordance with table **A.1.** may only be used in places where it may be checked in accordance with **7.2.1 ČSN 73 4201/2010**, and unless the flue pipe leads through an open air its checkability must be ensured in accordance with **7.2.5 ČSN 73 4230/2004**. A vertical flue pipe may only be used in the cases listed in **8.3.4 and 8.3.5 ČSN 73 4230/2004**.

The fireplace stove may be connected to a shared vent with a gas appliance for multi-layer chimneys in accordance with **ČSN 73 4201/2010**.

When installing ROMOTOP spol. s r.o. fireplace stoves in the FRG in compliance with article **6.2.2** of the **DIN 18896** norm, the fireplace stoves can be connected to a shared chimney.

4.3 Connection of fireplace stoves with exchanger to the heating system

Warning: Always have a specialist company take care of the project and assembly of your warm water system and warm service water container

When installing the warm water system, it is necessary to adhere to the appropriate regulations listed in the following norms and to respect the requirements on heat systems in buildings:

- ČSN 06 0830/2006 – Safety devices for central heating and heating of service water
- ČSN 06 0310/2006 – Project and assembly
- ČSN 06 0320/2006 – Preparation of warm water – design and project
- ČSN EN 12 828/2005 – Designing warm water heat systems
- ČSN EN 13 240/2002+A2/2005 - Room heaters fired by solid fuel
- ČSN EN 13 229/2002+A2/2005 - Built-in heating appliances and fireplace stoves for solid fuel

Warning: Article 3 par. 2.3 council regulation no. 97/23/EC "Pressure equipment" (corresponds to government regulation **no. 26/2003** - previously government regulation **no. 182/1999**) adjusts the need to equip fireplace stoves and fireplace inserts with exchangers (with manual stoking of solid fuel for the production of warm water with temperatures below **110°C**) with a safety fuse against overheating. If the fireplace stove with exchanger or fireplace insert with exchanger is not equipped with this fuse, then it is not required on the product!

The fireplace stove exchanger needs to be connected with the warm water system via a screwed joint. To this end the fireplace stove exchanger is equipped with screwed outlets. If you require off-season infrequent heating only in the room containing the fireplace stove, it is necessary to "redirect" the exchanger output so that other heat appliances do not overheat (e.g. water container). **We always recommend connection with an**

accumulation tank to ensure comfortable heating and a maximal utilization of the heat energy. Heating systems with forced circulation can be secured against overheating e.g. via an open expansion tank or cooling loop. In case of electricity outage it is recommended to use a backup supply for the circulation pump. We recommend equipping heaters with thermostatic heads (especially in the area where the fireplace stove is located).

Heating systems with forced circulation are susceptible to overheating, most often due to power outages. If the circulation pump stops, the water temperature in the exchanger will start to raise rapidly, since the heat is not being drained anymore. **Romotop strongly recommends installing one of the systems for preventing the overheating of heating systems.**

Recommended systems for preventing the overheating of heating systems:

- **Cooling loop** – in case of a power outage and if the exchanger heats up above a safe bound, the cooling vent will release cold water from the water supply into the loop located in the exchanger. The cold water will drain the heat from the exchanger into waste water (see **Connection chart with cooling loop**).
- **DBV cooling valve** – in case of power outage and if the exchanger heats up above a safe bound, the overheated water is drained as waste water and cold water is released simultaneously into the heating system (see **Connection chart with DBV cooling valve**).
- **Backup generator** – allows the pump to operate for a short while during power outages to let the fireplace insert to cool off.

Warning: The cooling exchanger (loop) and the DBV cooling valve are designed to fully protect the exchanger against overheating. Its proper operation and connection is conditioned by a cold water intake with a permanent minimal pressure of **2 bars** and temperature of up to **15°C**, i.e. the water supply must not depend on power outages (preferably the water system). Cooling water from the cooling exchanger is drained as waste water.

Securing the heating system against high pressure

We recommend using a safety valve for securing the heating system against high pressure. It is placed on the hot water outlet from the exchanger. No closable piping may be installed between the exchanger and the safety valve. The maximal distance of the safety valve from the source is 20xDN. The safety valve should be easily accessible to allow regular inspection of functionality.

Installation of this safety valve is a required condition for the warranty of fireplace stoves with a warm water exchanger.

Protecting the exchanger from low-temperature corrosion

To prevent the creation of condensate on the walls of the exchanger, it is necessary to always equip the heating system of warm water fireplace stoves with a thermostat mixing valve, which keeps the water temperature at the inlet to the exchanger at a minimal value of 65°C. Protection from low-temperature corrosion will increase the service life of the exchanger. To improve the heat-up and combustion phases in forced systems, we recommend installing a switchable thermostat for the pump.

Installation of thermostat exchanger valve is a required condition for the warranty of fireplace stoves with a warm water exchanger.

Warning: The outlet vent must be installed in the lowest part of the heating system.

Warning: The fireplace stove with exchanger may not be used without connection to the warm water system and when not filled with the heat carrying medium, i.e. water or frost-resistant filling recommended for this

purpose. These fillings must adhere to norm **ČSN 07 7401/1992** (Water and steam for thermal energy equipment) to keep a long service life.

For more information please see the information sheet available for download at www.romotop.cz: **Construction readiness for Romotop fireplace stoves**, or contact us directly on our Romotop service line (see www.romotop.cz).

5. Operation manual

5.1 Fuel

It is only allowed to burn wood and wood briquettes in fireplace stoves in accordance with law **201/2012**. To reach the nominal parameters of the heater, we recommend using dry logs with a diameter of **5-8 cm** and length of **20-30 cm** and with a humidity below **20%** (ideally **10%**). Oven wood and chopped pieces of wood should be used only when starting the fire. Recommended humidity can be obtained by storing the chopped logs for at least two years in a ventilated shelter.

The fireplace stove should be heated to a nominal output stated in the technical sheet, i.e. the burning of a given amount of allowed fuel per **1 hour**. Long-term excessive output could damage the fireplace stove.

Never use flammable fluids, coke, coal or any of the following types of waste as fuel: chipboards, plastics, plastic bags, soaked wood or wood-shavings, saw-dust or pellets!

!!!Burning of the abovementioned material not only highly pollutes our environment but also damages the fireplace stove and the chimney!!!

5.2 Starting the fireplace stove for the first time

Before the first use all remaining stickers must be removed, all accessories must be taken out of the ashpan or fireplace and the same applies for the transport safety pins. Check that bulk shutters for directing the draft, chamotte tiles and the barrier are set correctly (as they might have slipped from their correct positions during transport or installation). Repair any defects you might find in setting, otherwise the proper functioning of the heater is endangered. After setting the fireplace stove, connecting it to the chimney and, if need be, connecting the exchanger to the warm-water set and filling it with a heat-carrying medium, start heating slowly and continue for at least one hour. Leave the stoves and ashpan doors open (**approx 1-2mm**) before and during the first heating in order to prevent the sealing material to mix with the paint. The fireplace surface is covered with heat-resistant paint. During the first heating, after becoming temporarily soft, the paint will eventually become hardened. During the soft phase the paint surface is more vulnerable to being damaged by a hand or other object. During the first heating the fireplace stove should be “heated up” with a small flame, burning only a small amount of fuel with a lower temperature. All materials must get used to the heat load. You will prevent cracks in chamotte bricks, damage of the paint or deformation of the insert materials by a careful first heating. Hardening of the paint on the fireplace stove might be accompanied by a temporary smell, which will disappear after a while.

Make sure the room is properly aired when burning the paint. Furthermore, ensure that no small animals or birds are present in the room containing paint exhausts. We also recommend turning off aquariums air intakes during the first heating.

5.3 Kindling and firing

1. Fireplace stoves with grate - first put crumpled paper into the chamber and then lay chopped wood on it. You can also use the solid fire-lighter **PE-PO** to start the fire. After starting fire, let it burn freely with all air regulation elements open. **It is forbidden to use flammable liquid (oil, petroleum, etc.) for starting fire!** After the fire begins to burn and the draft is strong enough, bigger logs or wood briquettes might be added without the danger of smoke. Continue stoking the amount of fuel determined based on the nominal output of the fireplace stove.

2. Fireplace stoves without grate - only secondary air is used for burning; therefore wood logs need to be stoked first, then chopped wood and finally small cuttings and paper. After starting fire, let it burn freely with all air regulation elements open. **It is forbidden to use flammable liquid (oil, petroleum, etc.) for starting fire!** After the fire begins to burn and the draft is strong enough, bigger logs or wood briquettes might be added without the danger of smoke. Stoke no more than the amount of fuel determined based on the nominal output of the fireplace stove.

Fuel consumption is always stated in the technical sheet. Burning intensity is regulated by air intake controls or, if a smoke shutter is installed, by limiting the draft in the chimney. Larger amount of fuel or a strong draft and air take might cause overheating and damage of the fireplace stove. Too weak draft leads to glass blackening or to a smoke escaping into the room when opening the door and stoking fuel.

Warning: Fireplace doors must always be closed, with the exception of the first heating, stoking fuel and removing ash. When the fireplace stove is not in operation for a longer period of time, it is necessary to check that the flue pipes, chimney and combustion chamber are clear. In general, the heating up and cooling of the fireplace insert is accompanied by a specific sound; this is intended.

5.4 Stoking fuel

In order to prevent smoke escaping into the room when stoking fuel, please follow the following procedure: Approximately 5 or 10 seconds before opening the fireplace doors open the air intake regulators and then only slightly open the stoking doors, wait for few seconds for the exhaust gas to get sucked into the chimney and only then fully open the door. When opening the stoking door, a special attention must be paid to the danger of hot fire-brands falling out. After stocking fuel, close the door again. After the fuel starts burning (with clear fire), return the regulator back to its original position. The amount of stoked fuel should correspond to an hourly consumption value for the concrete fireplace stove (see the technical sheet). Overheating can permanently damage the fireplace stove construction.

Warning: To prevent exhaust gas escaping into the room during stoking add fuel after its burning down on the glowing base.

5.5 Operation during the transition period

The chimney draft (sucking exhaust gas from the fireplace stove) might be weaker during the transition period, i.e. when the outside temperature is higher than **15°C**, during rainy and humid days or during gusty winds. During this period the fireplace stove should be operated with the minimum possible fuel so that the fire, as well as the chimney draft could be improved by opening the air intakes.

Tip: During this period a so-called atmospheric plug can be created in the chimney mouth due to the draft conditions. The plug can cause smoke escaping into the room when lighting fuel. We recommend letting a piece of paper burn down preferably in the upper part of the combustion chamber before lighting the kindling. This seemingly negligible smoke is enough to break through the atmospheric plug. Afterwards you can freely light paper (or solid fire-lighter PE-PO) and be sure that even a humid chimney is clear.

In this period it is also possible to use the same lighting method as for the fireplace stoves without grate (with no ashpan).

5.6 Ash removal

Make sure that the ashpan is cleaned when being half full in order to prevent the ash reaching too close to the grate and thus damaging it. At the same time the ash would block the intake of air required for burning. Removing ash from the ashpan should be carried out when the fireplace stove is cold and preferably ready for the next heating. A vacuum cleaner designed for cleaning ash with a filter for small filth can be also used for cleaning the cold ashpans or heater without ashpans. Ash from burnt wood can be used for composts or fertilizing. Store the ash in closed non-flammable containers.

Warning: Make sure that the ash does not contain any glowing remains of wood that could cause fire in the waste container.

Warning: For some fireplace stove types the ashpan is located in a basin under the grate and cannot be removed from the side. The ashpan can be removed only when the heater is cold and not in operation. The ashpan is accessible after lifting the grate.

Be careful when removing hot ash!

5.7 Cleaning the glass

The cleanliness of the window is influenced not only by the using of suitable fuel, providing sufficient air intake and chimney draft but also by the method of operating the fireplace stove. In this respect we recommend stoking only one layer of fuel and distributing the fuel as evenly as possible and as far from the glass as possible. This also applies for briquettes (the distance between them should be 5 to 10 mm). If the glass becomes dirty, try increasing the burning intensity by opening the air intake and the glass will clean itself.

Sooty windows can be cleaned in cold state using newspapers or wet cloth dipped in wood ash. Usually also liquid cleaning agents are used for cleaning the stove window. But these may in some cases, depending on the composition of the cleaning agent and its interaction with combustion residues (ash particles, etc.), harm the gaskets and/or the glass-ceramics and/or the decoration colour of the fireplace viewing panel.

The producer is not responsible for damages, which are caused by attack in using of chemical agents.

6. Cleaning and maintenance

Your fireplace stove is a high-quality product and no significant defects will appear during normal operation. The fireplace stove and exhaust pipes should be checked thoroughly before and after the heating season.

Clean the fireplace stove only after it cools off!

6.1 Cleaning the fireplace stoves / disassembly of chamotte

All sediments in flue pipes and combustion space must be removed during cleaning. Repair, ideally by removing, all fallen-off parts of the chamotte lining. The integrity of the chamotte lining must be monitored also during the heating season. Spaces between individual chamotte fittings serve as a heat dilatation preventing cracking of the fittings and must not be filled by filling material as was usual with older types of solid fuel heaters. **Cracked chamotte fittings are still functional until they fall out!** Bulk shutter for directing the draft, if used, should be removed during cleaning (this enables easier access to the space above them). The fireplace stove cleaning (with the exception of glass) should be done without water cleaner, i.e. using only vacuum cleaner or steel brushes. Any modifications of the fireplace stove are unacceptable. Use only spare parts

approved by the manufacturer. Disassembly of chamotte (see the Chamotte chamber). From time to time the friction areas of the door hinge and the closing mechanism should be oiled using carbonic fat or grease designed for high temperatures. Close the fireplace stove with corresponding slide valves when not in operation.

6.2 Cleaning the warm water exchanger

The exchanger vents should be cleaned as required, at least once in 3 week by attached steel brush. The degree of fouling is influenced by the fuel humidity, methods of operating (e.g. economic operation - closing air intakes regulators) and by the connection to the heating system, see chapter **4.3**. Access to the exchanger vents is located above the combustion chamber.

Shutters for regulating the draft, if used, must be removed.

6.3 Cleaning the chimney

Each user of a solid fuel heater is obliged to ensure regular checkups and cleaning of the chimney **in accordance with the government regulation no. 91/2010 from 1st March 2010 supplying regulation no. 111/1998 Coll.**

7. Disposal of covers and the discarded product

Packaging and the discarded product should be liquidated in accordance with law no. 125/1997 Coll. and related regulations.

Packaging:

- a) wooden parts can be used for heating
- b) plastic package is to be placed into a container for sorted waste
- c) screws and handles are to be taken to a waste collection station
- d) bag with the separator of air humidity is to be placed to separated waste

Discarded product:

- b) dismantled glass is to be placed into a container for sorted waste
- b) sealing and chamotte boards are to be placed into communal waste
- c) metal parts are to be taken to a waste collection station

8. Repairs and warranty claims

Service and warranty repairs are provided directly by the manufacturer or through the sales representative. Warranty certificate, fireplace stove purchase receipt and transfer protocol must be presented when filing a claim. It is in the purchaser's interest to demand a legibly filled-in warranty certificate and transfer protocol upon purchase. The service department will decide about the method and place of repair after inspecting the defect; furthermore, proposed measures will be consulted with the fireplace stove owner. Relevant provisions of the Civil Code and the warranty regulations apply for the fireplace stove replacement or termination of the contract of purchase.

WARRANTY CERTIFICATE

TRANSFER PROTOCOL

ROMOTOP spol. s r.o. WARRANTY AND CLAIMS CONDITIONS VALID FOR THE PURCHASER (CONSUMER)

1. The following warranty and claims conditions are processed in accordance with relevant provision of the Civil code and the Consumer protection act.
2. The seller is obliged, if requested by the consumer, to issue a purchase receipt or service receipt including date or purchase or service, type of product or service, price of product or service, together with identification information of the seller, i.e. the name and surname, company name, alternatively their identification number, address or place of business, unless determined otherwise by a special legal regulation.
3. Warranty period granted for this product is **24 months**. The warranty period begins upon accepting the product by the consumer. For products that need to be put into operation by an authorized or professional company the warranty period begins only after the product is put into operation, provided the purchaser ordered the given company to put the product into operation within 3 weeks from accepting the product and provided all necessary cooperation.
4. Warranty applies to all manufacturing defects and material defects originating provably during the warranty period.
5. Warranty does not apply to wear and tear and further to:
 - defects caused by unsuitable or unprofessional service or modifications, connecting to insufficiently sized chimney or chimney with low draft, inadequate handling or use, failure to adhere to conditions of use and maintenance (see Operation manual).
 - defects caused by mechanical damage
 - when the product is stored in humid and unsheltered place, or is used an environment other than the home environment.
 - defects caused by natural disaster, weather conditions or violent damage.
 - when warranty seals or plaques with serial numbers are damaged.
 - damage during transport (in case of transport at your own risk). When transported via an external transportation service - any damage must be dealt with on the spot.
 - if the information on the warranty certificate or purchase receipt differs from the data on the manufacturer plaque.
6. Extended warranty period does not apply to expendable material used for the repair or exchange of the stove part.
7. Warranty must be claimed at the seller, where the product was purchased. However, if the warranty certificate states a different business for the repair, which is closer to the seller or to the purchaser, the purchaser is to claim the warranty at the business designated for the repair. The business designated for the repair is obliged to perform the repair within a time limit arranged between the seller and purchaser.
8. The seller is obliged to issue a confirmation including the date of claim, subject of the warranty and the required method of settling. Furthermore, another written confirmation must be issued within 30 days on performing the repair, date and method of settling, including confirmation on performing the repair and its duration, alternatively a written explanation of warranty refusal. This obligation applies other subject designed for the repair.
9. Within the first 6 months from the purchase the warranty claim will be treated as a contradiction with the contract of purchase in accordance with § 616 of the Civil code. In months following afterwards the warranty claims will be regulated by § 622 of the Civil code, depending on whether the defect is removable or not.
10. Warranty claims are only accepted and processed for the purchaser.
11. When transferring items for warranty, the purchaser is obliged to inform and eventually document the type label of the product and a detailed description of the defect (e.g. in which mode and how the defect manifests, how long after combustion, description of operation of the item before the defect etc.).
12. When applying the warranty, the purchaser is obliged to prove that the product is being warranted at its seller and that the warranty period has not expired. The most suitable documents in this regard are:
 - sales document
 - confirmed warranty certificate
 - confirmed transfer protocol
13. Other procedures not adjusted in these warranty and claims conditions follow the appropriate provisions of the Civil Law and Consumer Protection Law.

Purchaser:.....

Realization address:.....

Contractor (person responsible for construction):

List of documents:.....

List of defects and outstanding work:.....

List of variations from the project (the approved documentation):

Construction permit no.:.....

Date: **Issued by:**.....

Technical supervision of the investor:

Date of commencement of transfer:

Date of termination of transfer:

Date of complete clearing of the workplace:

Warranty begins on:.....

First combustion allowed on:.....

The purchaser confirms by signature that he will be responsible for ensuring the security of the received building from third persons!!!

Contractor (signature): **Date:**..... **In**

Purchaser (signature):..... **Date:**..... **In**

DE Allgemeine Einbau- und Bedienungsanleitung für Kaminöfen der Firma Romotop spol. s r.o.

- gilt allgemein für alle, von der Firma Romotop spol. s r.o. hergestellten Kaminöfen.
Im anliegenden technischen Datenblatt sind ausführlich technische Daten des jeweiligen Kaminofentyps angeführt.

Die Kaminöfen dürfen nur nach dieser Anleitung betrieben werden!
Es ist nicht zulässig, bei den Kaminöfen beliebige Anpassungen vorzunehmen!

1. Einleitung
2. Technische Beschreibung
3. Sicherheitsvorschriften
 - 3.1 Sicherheitsabstände
 - 3.1.1 Sicherheitsabstand eines Kaminofens im Raum von brennbaren Werkstoffen
 - 3.1.2 Sichere Abstände der Rauchgasleitungen von brennbaren Werkstoffen und Baukonstruktionen
 - 3.2 Fußbodenschutz
 - 3.3 Maßnahmen bei Kaminbrand
4. Montagevorschriften
 - 4.1 Allgemein
 - 4.2 Anschluss an den Kamin (Schornstein)
5. Bedienungsanleitung
 - 5.1 Brennstoff
 - 5.2 Erste Inbetriebnahme des Kaminofens
 - 5.3 Einheizung und Heizung
 - 5.4 Brennstoffzulegung
 - 5.5 Betrieb im Laufe des Übergangszeitraum
 - 5.6 Beseitigung der Asche
 - 5.7 Reinigung der Glasscheibe
6. Reinigung und Instandhaltung
 - 6.1 Reinigung des Kaminofens / Ausbau der Schamottblöcke
 - 6.2 Reinigung des Kamins
7. Entsorgung der Verpackung und des ausgesondertes Produkts
8. Reparaturen und Reklamationen
9. Garantieurkunde
10. Übergabeprotokoll

1. Einleitung

Wir bedanken uns bei Ihnen, dass Sie eben unseren Kaminofen beschafft haben und gratulieren Ihnen zugleich herzlich, denn Sie sind zum Inhaber eines Qualitätskaminofens der Firma Romotop spol. s r.o., eines führenden europäischen Kaminofenherstellers geworden.

Unser Kaminofen kann nicht nur als eine zusätzliche Heizung dienen, welche die Atmosphäre Ihres Heims bzw. Ihres Erholungsobjekts steigert, sondern auch als Hauptwärmequelle mit hoher Heizleistung, staublosem Betrieb und vollkommener, umweltfreundlicher Verbrennung. Alle von unserer Firma hergestellten Kaminöfen werden gemäß **ČSN EN 13 240/2002+A2/2005**.

Lesen Sie die Anleitung und das technische Datenblatt im eigenen Interesse sorgfältig durch. Bezüglich des sicheren Betriebs hat sich der Benutzer ordnungsmäßig über den richtigen Einbau und Betrieb dieser Einrichtung zu informieren. Bewahren Sie die Anleitung und das technische Datenblatt auf, um zu Beginn jeder Heizsaison wieder die erforderlichen Kenntnisse für die richtige Bedienung Ihres Kaminofens auffrischen zu können.

Garantie für unsere Produkte gewähren wir nur im Falle, dass Sie die in dieser Bedienungsanleitung des Kaminofens angeführten Anweisungen einhalten.

2. Technische Beschreibung

Der Kaminofen ist für den Einbau in unterschiedliche Innenräume (Wohnungen, Wochenendhäuser, Restaurants) bestimmt. Die Kaminöfen Romotop werden aus hochwertigen Werkstoffen hergestellt - Gusseisen, CORTEN-Stahl und aus Qualitätsbaustahl und Kesselstahl, die hoch belasteten Bauteile werden aus HARDOX-Stahl produziert. Die Stahlkonstruktionsoberflächen sind mit feuerfestem Mattlack geschützt. Der feuerfeste Lack ist nicht korrosionsbeständig. Der Brennraum des Vollblech-Kaminofens ist mit herausnehmbaren Schamottplatten ausgekleidet, die nicht mit Füllmasse verbunden sind, um deren Beschädigung infolge von Wärmedehnungen vorzubeugen. Der Brennraum ist mit einer Tür mit speziellem feuerfestem Glas versehen. Das Glas erhöht nicht nur das ästhetische Erlebnis beim Anblick des lodernden Feuers, sondern ermöglicht auch eine angenehme Übertragung der Wärmestrahlung. Das Glas verhindert zugleich das Herausfallen von Teilen des brennenden Holzes und Austritt von Rauch in den Raum. Der Feuerraumboden ist in der Regel mit einem herausnehmbaren Eisengussrost versehen. Vor dem Rost ist in der Regel eine Sperre gegen das Herausfallen und Abrutschen des Brennstoffs auf die Tür (Türscheibe) ggf. eine Blech- bzw. Keramikmulde angebracht. Bei Feuerräumen mit Rost befindet sich unter dem Rost ein Raum für den Aschekasten. Bei bestimmten Kaminofentypen kann der Abgasrohrstutzen nach Bedarf für obere sowie untere Rauchabführung eingestellt werden. Die Kaminöfen werden in Doppelmantelausführung hergestellt. Der Raum zwischen den Mänteln wird zur Lufterwärmung genutzt. Der Außenmantel ist im oberen Bereich mit Warmluftausströmern versehen. Der Außenmantel kann mit Keramik bzw. Stein verkleidet werden, um den Design zu prägen und die Wärmespeichereigenschaften des Kaminofens zu verbessern. Bei bestimmten Kaminofentypen ist die Doppelmantelkonstruktion der Erwärmung von warmem Brauchwasser angepasst, mit der Anschlussmöglichkeit an ein standardmäßiges Heizsystem. Diese Kaminöfen können mit einer Abkühl Schleife gegen Überhitzung bei einem Stromausfall bestückt werden.

Kaminöfen, die mit getrennter Primär- und Sekundärverbrennungsluft versehen sind, sind mit entsprechenden Bedienungselementen ausgestattet. Die Primärluft wird direkt zum brennenden Brennstoff geführt (in der Regel durch den Aschekasten und Rost) und diese dient der primären Verbrennung. Die Sekundärluft unterstützt die Verbrennung der restlichen brennbaren Gase im Rauchgas, infolgedessen die Heizleistung des Kaminofens erhöht wird, was grundsätzlich den Austritt von Rauchgasemissionen in die Atmosphäre reduziert. Die Sekundärluft wird vor allem in den Raum über dem brennenden Brennstoff geführt. Durch die Sekundärluft wird die kalte Luft auf der Innenseite der Frontscheibe mitgerissen. Dieser Prozess verhindert zugleich das Verrußen der Glasscheibe. Die Sekundärluft beteiligt sich beim Sperren der Primärluft ebenfalls an der primären Verbrennung. Lassen Sie die Primärluftzufuhr beim Anheizen, bei dem noch niedriger Kaminzug vorhanden ist, ganz offen. Nach dem Erwärmen des Kamins können Sie die Primärluftzufuhr zum Teil bzw. ganz sperren, je nach der erforderlichen Leistung des Kaminofens. Für die Leistungsreduzierung des Kaminofens kann auch eine niedrigere Brennstoffmenge gewählt bzw. der Kaminzug durch den Einbau einer

Rauchklappe (manuelle Sperrklappe in der Rauchabfuhr, die den Luftkanal max. zu **75%** versperrt) reduziert werden. Das ist vor allem bei einem Kaminzug um und über **20 Pa** empfehlenswert. Der Sekundärluftschieber ist für vollständiges Sperren des Kaminofens außer Betrieb bestimmt. Der Feuerraum und die Aschekastenabdeckung müssen stets geschlossen sein, mit Ausnahme der Inbetriebnahme, Brennstoffzulegung und Beseitigung fester Verbrennungsreste, um den Rauchgasaustritt in den Raum zu verhindern.

Bestimmte Kaminofentypen sind mit einem Wärmespeichertauscher versehen, was anschließend deren Leistung erhöht und der zur maximalen Nutzung der Brennstoffenergie beiträgt.

Bestimmte Kaminofentypen werden mit zentraler Luftzufuhr (**CPV**) hergestellt. Diese ermöglicht die Zufuhr von Verbrennungsluft in den Feuerraum vom Außenbereich, aus Fluren und Technikerräumen. Ein Kaminofen mit **CPV** ist nicht von der Luftmenge im beheizten Raum abhängig. Sie leisten somit nicht nur einen Beitrag zur Erhaltung eines angenehmen Klimas in Ihrem Heim, sondern reduzieren auch die Energiekosten (im Haus wird die bereits einmal erwärmte Luft nicht verbraucht).

Kaminöfen mit **CPV** sind für den Einbau in energiearme Häuser äußerst geeignet. **Für Erhöhung des Komforts kann das Heizsystem bestimmter Kaminöfen mit CPV mit elektrischer Verbrennungsregelung versehen werden.** Diese ermöglicht, zusätzlich den Verbrennungsprozess und Zulegungsintervall zu verlängern und die Betriebssicherheit zu erhöhen und somit unwirtschaftliche Heizung und Überheizung des Kaminofens zu verhindern (die Klappe der zentralen Luftzufuhr wird mit einer Steuerungseinheit mit Servomotor in Abhängigkeit von der augenblicklichen Verbrennungsphase und Austrittstemperatur der Rauchgase gesteuert).

Hinweis: Kaminöfen haben nicht den Charakter einer Dauerbrandheizung und sind für periodische Betriebsunterbrechung bestimmt, vorwiegend wegen Entleerung des Aschekastens, die bei ausgekühlter Asche vorzunehmen ist.

3. Sicherheitsvorschriften

Die Kaminöfen dürfen in normaler Umgebung gemäß **ČSN 33 2000-3/1995** benutzt werden. Bei einer Änderung dieser Umgebung, bei der auch vorübergehende Brand-, bzw. Explosionsgefahr entstehen könnte (z. B. bei Verlegung von Linoleum, PVC, bei der Arbeit mit Anstrichmitteln, u. ä.) ist der Kaminofen rechtzeitig, vor der Entstehung der Gefahr, außer Betrieb zu setzen. Der Kaminofen darf danach erst nach gründlicher Lüftung des Raums, am besten mit Zugluft, wieder in Betrieb gesetzt werden.

Beim Betrieb ist die Zufuhr einer ausreichenden Verbrennungsluftmenge und Luft zum Lüften des Raums sicherzustellen, vor allem bei parallelem Betrieb mit einer anderen Wärmeeinrichtung) (ca. **8 bis 15 m³** für das Verbrennen von 1 kg Brennstoff)! Bei gut abgedichteten Fenstern und Türen muss es nicht der Fall sein! Dieses Problem wird mittels der aus einem getrennten Raum angeschlossenen **CPV** geregelt. Ebenfalls das Gitter der Verbrennungs-, Lüftungs- und Heizluft darf nicht verstopft werden. Öffnen Sie die Tür beim Zulegen des Brennstoffs stets langsam. Sie verhindern somit den Austritt von Rauch und Asche in den Raum. Der Kaminofen erfordert zeitweilige Bedienung und Beaufsichtigung.

Für das Einheizen und Heizen dürfen keine brennbaren Flüssigkeiten benutzt werden! Es ist weiter verboten, beliebige Kunststoffteile, Holzwerkstoffe mit chemischen Bindemitteln (Holzspanwerkstoffe, usw.) und ebenfalls unsortierten Kommunalabfall mit Kunststoffresten u. ä. gemäß **Gesetz 201/2012** zu verbrennen.

Achten Sie beim Heizen darauf, dass mit dem Kaminofen keine Kinder manipulieren. Der Kaminofen darf nur von Erwachsenen bedient werden!

Bedienen Sie beim Betrieb alle Handgriffe und Knöpfe mit Hilfe einer Zange, eines Hakens bzw. mit der behandschuhten Hand - Verbrennungsgefahr! Es ist verboten, auf den Kaminofen während des Betriebs und solange er warm ist, beliebige brennbare Gegenstände abzulegen, die einen Brand verursachen könnten. Lassen Sie bei dem Umgang mit dem Aschekasten und bei der Beseitigung heißer Asche erhöhte Vorsicht walten, es besteht Verbrennungsgefahr. Heiße Asche darf nicht in Kontakt mit brennbaren Gegenständen kommen - z. B. bei Schütten der Asche in Gefäße für den Kommunalabfall.

Bei saisonbedingter Benutzung und bei schlechten Zug- bzw. Witterungsbedingungen ist erhöhte Aufmerksamkeit der Inbetriebnahme des Kaminofens zu widmen. Bei einer längeren Betriebsunterbrechung vor erneutem Einheizen ist zu überprüfen, ob die Rauchwege nicht verstopft sind.

Beim Betrieb und Einbau des Kaminofens sind Sicherheitsvorschriften lt. ČSN 06 1008/1997 einzuhalten, vor allem:

3.1 Sicherheitsabstände:

3.1.1 Sicherheitsabstand eines Kaminofens im Raum von brennbaren Werkstoffen

Beim Einbau des Kaminofens im Raum mit brennbaren Gegenständen der Brennbarkeitsklasse **B, C1** und **C2** ist der Sicherheitsabstand gemäß **ČSN 06 1008/1997** von der Kaminofentür **80 cm** und in sonstigen Richtungen **20 cm** einzuhalten, falls vom Hersteller nicht etwas anderes festgelegt ist, siehe **Technisches Datenblatt** und **Typenschild**.

Beim Einbau des Kaminofens im Raum mit brennbaren Gegenständen der Klasse **C3** sind diese Abstände zu verdoppeln. Informationen über die Brennbarkeitsstufen bestimmter Baumaterialie sind der **ČSN 73 0823/1983** zu entnehmen. Ist es nicht möglich, den von der Norm vorgeschriebenen Sicherheitsabstand des Kaminofens von brennbaren Stoffen einzuhalten, ist eine Schutzblende lt. **4.4.1 ČSN 06 1008/1997** zu verwenden.

Einstufung von Baustoffen nach der Brennbarkeitsstufe.

A unbrennbar Granit, Sandstein, Beton, Ziegelsteine, keramische Fliesen, spez. Putz

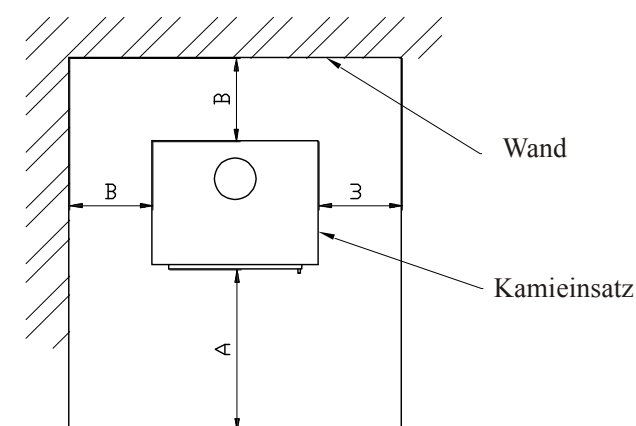
B schwierig brennbar Akumin, Heraklit, Lihnos, Itaver

C1 schwer brennbar Laubholz, Sperrholz, Sirkoklit, Hartpapier, Umakart

C2 mittelschwer brennbar Holzspanplatten, Solodur, Korkplatten, Gummi, Fußbodenbelag

C3 leicht brennbar Holzfaserplatten, Styropor, Polyurethan

Abb.1



Mindestabstand

A > 80cm

B > 20cm

3.1.2 Sichere Abstände der Rauchgasleitungen von brennbaren Werkstoffen und Baukonstruktionen

Sicherer Abstand von Türzargenverkleidungen u. ä. angeordneten Baukonstruktionen aus brennbaren Werkstoffen und von Rohrleitungsinstallationen, einschl. deren Dämmungen ist mind. **20 cm**. Von sonstigen Konstruktionsteilen aus brennbaren Werkstoffen mind. **40 cm** (siehe Abb. 2) gemäß **ČSN 06 1008/1997**. Es handelt sich um Baustoffe der Brennbarkeitsklasse **B, C1** und **C2** laut **ČSN EN 13501-1/2010** (siehe Tabelle Nr. 1). Das gilt auch für Wände und hauptsächlich für Decken mit Putz auf brennbarem Untergrund, z. B. auf Latten bzw. auf Schilf u. ä. Können diese Abstände nicht eingehalten werden, ist mit Hilfe von bautechnischen Maßnahmen, unbrennbaren Verkleidungen, wärmebeständigen Dämmungen und Schutzblenden die Brandgefahr vorzubeugen.

Durchmesser **5-8 cm** und in der Länge **20-30 cm** und mit niedrigerer Feuchtigkeit, als **20%** (optimal sind **10%**) bzw. Reisig und klein gespaltenes Holz ist lediglich beim Anheizen zu verwenden. Um das Holz richtig zu trocknen, sind die gespaltenen Holzscheite mindestens über 2 Jahre unter einem gelüfteten Vordach zu lagern.

In dem Kaminofen ist bis zu der im technischen Datenblatt angeführten Nennleistung zu heizen, d. h. Verbrennung der gegebenen Menge des erlaubten Brennholzes in **1 Stunde**. Bei langzeitiger übermäßiger Überlastung droht Beschädigung des Kaminofens.

Als Brennstoff dürfen nie brennbare Flüssigkeiten, Koks, Kohle bzw. Abfälle vom Typ: Holzspanplatten, Kunststoff, Tüten, behandeltes Holz bzw. selbstständige Holzspäne, Sägemehl bzw. Pellets benutzt werden!

!!! Verbrennung derartiger Werkstoffe verschmutzt nicht nur unsere Umwelt, sondern beschädigt auch den Kaminofen und den Kamin!!!

5.2 Erste Inbetriebnahme des Kaminofens

Vor der ersten Inbetriebnahme sind etwaige Aufkleber vom Glas, Zubehörteile aus dem Aschekasten ggf. Feuerraum zu beseitigen, dasselbe gilt auch für etwaige Transportsicherungen. Überprüfen Sie nach der Abbildung aus dem technischen Datenblatt, ob die lose gelagerten Zugumlenkungsblenden, Schamottblöcke ggf. die Sperren richtig angeordnet sind (es besteht die Möglichkeit, dass sie beim Transport bzw. bei der Installation in die falsche Position gerutscht sind). Falls Sie deren fehlerhafte Anordnung feststellen, bringen Sie die Bauteile in die richtige Position, andernfalls ist die richtige Funktion der Heizvorrichtung gefährdet. Nach der Aufstellung des Kaminofens, Anschließung an den Kamin, ggf. Anschließung des Austauschers an das Warmwassersystem und dessen Befüllung mit dem Wärmeträgermedium heizen Sie ein und heizen sie mindestens eine Stunde "mit kleiner Flamme". Lassen Sie vor sowie im Laufe des ersten Einheizens die Tür des Ofens sowie des Aschekastens ein wenig offen (**ca. 1-2 cm**), damit das Dichtungsmaterial nicht am Lack anhaftet. Für die Oberflächenbehandlung des Kaminofens wurde feuerfeste Farbe benutzt, die nach dem ersten Einheizen nach vorübergehendem Weicherden ausbrennt. Im Laufe der Phase des Weicherdens besteht erhöhte Gefahr der Lackoberflächenbeschädigung mit der Hand bzw. einem Gegenstand. Beim ersten Einheizen ist der Kaminofen mit kleiner Flamme, mit einer kleineren Brennstoffmenge und bei niedriger Temperatur zu beheizen. Alle Materiale müssen sich an die Wärmebelastung gewöhnen. Durch vorsichtiges Anheizen verhindern Sie Entstehung von Rissen in den Schamottblöcken, Beschädigung des Lacks und Deformation von Materialien der Einsatzkonstruktion. Das Ausbrennen des Kaminofenlacks wird durch vorübergehenden üblen Geruch begleitet, der mit der Zeit verschwindet.

Beim Ausbrennen des Lacks ist ordnungsmäßige Lüftung des Raums zu gewährleisten, ggf. sicherzustellen, dass keine kleinen Haustiere ggf. Vögel im Raum anwesend sind, es ist auch empfehlenswert, die Luftversorgung von Aquarien auszuschalten.

5.3 Einheizung und Heizung

1. **Bei einem Kaminofen mit Rost** - geben Sie in den Feuerraum zuerst zerknittertes Papier und schichten Sie auf das Papier Holzsplitter. Zum Anheizen kann auch fester Feuerzünder benutzt werden. Lassen Sie nach dem Einheizen das Feuer bei offenen Luftregulierungselementen frei aufbrennen. **Es ist verboten, zum Einheizen flüssige Brennstoffe (Benzin, Petroleum, u. ä.) zu benutzen!** Sobald das Feuer aufbrennt und genügend Zug vorhanden ist, können größere Holzscheite bzw. Holzbriketts zugelegt werden, ohne dass der Rauch in den Raum austritt. Legen Sie stets die festgelegte Brennstoffmenge nach der Nennleistung des Kaminofens zu.

2. **Bei einem Kaminofen ohne Rost** - wird zum Brennen lediglich die Sekundärluft genutzt, legen Sie daher in den Feuerraum größere Holzscheite, anschließend kleinere Holzscheite und zuletzt Holzsplitter und Papier.

Lassen Sie nach dem Einheizen das Feuer bei offenen Luftregulierungselementen frei aufbrennen. **Es ist verboten, zum Einheizen flüssige Brennstoffe (Benzin, Petroleum, u. ä.) zu benutzen!** Sobald das Feuer aufbrennt und genügend Zug vorhanden ist, können größere Holzscheite bzw. Holzbriketts zugelegt werden, ohne dass der Rauch in den Raum austritt. Legen Sie stets die festgelegte Brennstoffmenge nach der Nennleistung des Kaminofens zu.

Der Brennstoffverbrauch ist stets im technischen Datenblatt angeführt. Regulieren Sie die Verbrennungsintensität mit den Bedienungselementen der Luftzufuhr, ggf. durch Reduzierung des Kaminzugs, falls in Ihrem Ofen eine Rauchklappe eingebaut ist. Eine größere Brennstoffmenge bzw. zu großer Zug und zu große Luftzufuhr kann Überheizung und Beschädigung des Kaminofens zur Folge haben. Zu kleiner Zug verursacht Schwärzung der Türscheibe bzw. Austritt von Rauch in den Raum bei der Öffnung der Ofentür und beim Zulegen in den Kaminofen.

Hinweis: Die Feuerraumtür muss stets geschlossen sein, mit Ausnahme der Inbetriebnahme, Brennstoffzulegung und Beseitigung der Asche. Bei jeder längeren Unterbrechung des Kaminofenbetriebs ist vor dem Einheizen die Durchgängigkeit und Sauberkeit der Rauchzüge, des Kamins und des Feuerraums zu kontrollieren. Das Erhitzen und Auskühlen des Kamineinsatzes wird durch Geräusche begleitet, es handelt sich um keinen Mangel

5.4 Brennstoffzulegung

Zur Verhinderung des Austritts von Rauchgas in den Raum beim Zulegen empfehlen wir: Etwa 5 bis 10 Sekunden vor dem Öffnen der Feuerraumtür die Luftregler voll öffnen, anschließend die Tür zuerst ein wenig öffnen, einige Sekunden warten, solange das Rauchgas nicht in den Kamin abgezogen wird und erst danach die Tür voll öffnen. Nach dem Öffnen der Tür ist stets aufmerksam vorzugehen, es besteht Gefahr des Herausfallens von heißer Asche. Nach dem Brennstoffzulegen die Feuerraumtür erneut schließen. Nach dem Aufbrennen des Brennstoffs (ohne qualmige Flamme) den Regler wieder in die ursprüngliche Position stellen. Die Menge des zugelegten Brennstoffs soll dem informativen Stundenverbrauch des jeweiligen Kaminofens entsprechen (siehe technisches Datenblatt). Beim Überheizen kann die Ofenkonstruktion dauerhaft beschädigt werden.

Hinweis: Übermäßiger Austritt der Rauchgase in den Raum beim Zulegen kann durch Nachfüllung des Brennstoffs nach dessen Abbrennen bis auf glühende Asche verhindert werden.

5.5 Betrieb im Lauf des Übergangszeitraum

Im Laufe des Übergangszeitraums ggf. bei höheren Außentemperaturen als **15°C**, an regnerischen und feuchten Tagen, bei starkem böigem Wind kann sich unter Umständen der Kaminzug (Abzug des Rauchgases aus dem Kaminofen) verschlechtern. Es ist empfehlenswert, den Kaminofen in diesem Zeitraum mit der kleinstmöglichen Brennstoffmenge zu betreiben, um durch Öffnung der Luftzufuhr die Verbrennung und somit auch den Kaminzug verbessern zu können.

Tipp: In diesem Zeitraum kann sich durch Zugeigenschaften des Kamins in der Kaminmündung ein sog. atmosphärischer Stöpsel bilden. Dieser Stöpsel kann das Eindringen von Rauch in den Raum beim Einheizen verursachen. Es ist daher empfehlenswert, vor dem Einheizen zuerst ein Stück zerknittertes Papier - am besten im oberen Feuerraumbereich verbrennen zu lassen. Dieser scheinbar geringe Rauch genügt zum "Durchstoßen" des atmosphärischen Stöpsels. Anschließend kann man ohne Bedenken das Papier (bzw. den Feuerzünder) anzünden, wobei auch ein feuchter Kamin entsprechend durchgängig ist.

In diesem Zeitraum kann beim Einheizen auch erfolgreich der Vorgang für den Kaminofen ohne Rost (ohne Aschekasten) benutzt werden.

5.6 Beseitigung der Asche

Achten Sie darauf, dass Sie den Aschekasten entleeren, nachdem er bis in die Hälfte voll ist, damit der Aschekegel nicht zu nah zu dem Rost anwächst und der Rost nicht durch Überhitzung beschädigt wird. Die Asche würde zugleich die Zufuhr der erforderlichen Verbrennungsluft behindern. Der Aschekasten ist am besten in kaltem Zustand zu entleeren, am besten bei der Vorbereitung der nächsten Einheizung. Für die Reinigung des Aschekastens in kaltem Zustand ist ebenfalls ein Aschesauger mit Kleinpartikelfilter geeignet. Holzasche kann für Kompost bzw. als Dünger benutzt werden. Die Asche ist in geschlossenen unbrennbaren Behältern aufzubewahren.

Hinweis: Vor der Entleerung des Aschekastens ist zu überprüfen, ob er keine glühenden Aschereste enthält, die Feuer im Abfallbehälter verursachen könnten.

Hinweis: Bei bestimmten Kaminofentypen befindet sich der Aschekasten im Raum unter dem Rost, ohne dass er seitlich heraus genommen werden kann. Der Aschekasten ist nur bei ausgekühltem Ofen herauszunehmen. Der Zugang zum Aschekasten ist nach dem Abklappen des Rosts frei.

Bei der Beseitigung von heißer Asche ist mit erhöhter Vorsicht vorzugehen.

5.7 Reinigung der Glasscheibe

Auf Erhaltung der Glasscheibensauberkeit hat außer der Benutzung des geeigneten Brennstoffs, der ausreichenden Verbrennungsluftzufuhr und des entsprechenden Kaminzugs auch die Art, wie der Kaminofen bedient wird, Einfluss. Wir empfehlen in diesem Zusammenhang nur eine Brennstoffschicht zuzulegen, so dass der Brennstoff womöglich gleichmäßig im Feuerraum verteilt und weit vom Glas ist. Das gilt auch für Briketts (Abstand zwischen einzelnen Briketts 5 bis 10 mm). Bei Verschmutzung des Glases beim Heizen empfehlen wir, durch das Öffnen des Luftreglers die Verbrennungsintensität zu erhöhen, die Glasscheibe wird meistens selbsttätig gereinigt.

Das verrußte Türglas kann in kühlem Zustand mit Zeitungspapier bzw. mit feuchtem Stoff mit Holzasche. Üblicherweise kommen beim Reinigen der Kaminsichtscheibe auch flüssige Reinigungsmittel zum Einsatz. Diese können jedoch in manchen Fällen, abhängig von der Zusammensetzung des Reinigungsmittels und dessen Wechselwirkung mit Verbrennungsrückständen (Aschepartikel, etc.), die Dichtungen des Kaminofens und/oder die Glaskeramik und/oder die Dekorationsfarbe der Kaminsichtscheibe angreifen.

Der Hersteller trägt keine Verantwortung für Schäden, die durch Angriff unter Verwendung von chemischen Stoffen entstehen.

6. Reinigung und Instandhaltung

Ihr Kaminofen ist ein Qualitätsprodukt und bei normalem Betrieb entstehen keine grundsätzlichen Störungen. Wir empfehlen, den Kaminofen und die Rauchzüge vor sowie nach der Heizsaison gründlich zu überprüfen und zu reinigen.

Nehmen Sie die Reinigung stets bei ausgekühltem Kaminofen vor!

6.1 Reinigung des Kaminofens / Ausbau der Schamottblöcke

Bei der Reinigung sind die Ablagerungen aus den Rauchzügen und aus dem Feuerraum zu beseitigen. Herausgefallene Teile der Schamottaumauerung sind zu reparieren, am besten auszutauschen. Vollständigkeit der Schamottaumauerung ist ebenfalls im Laufe der Heizsaison zu überwachen. Die Zwischenräume zwischen einzelnen Schamottblöcken dienen zur Wärmedehnung und Verhinderung der Entstehung von Sprüngen in den Blöcken und dürfen nicht z. B. durch Füllmasse ausgefüllt werden, wie es zum Beispiel bei älteren Heizgeräten für feste Brennstoffe üblich war. **Rissige Schamottblöcke verlieren nicht ihre Funktion, sofern sie nicht**

ganz herausfallen! Wir empfehlen, bei der Kaminofenreinigung die losen Zugumlenkungsblenden herauszunehmen, falls sie bei dem Kaminofen vorhanden sind (zur Erleichterung des Zugangs zu dem Raum hinter den Blenden). Reinigung des Kaminofens (außer dem Glas) wird ohne Wasserzubereitungen vorgenommen, z. B. mit Hilfe eines Staubsaugers bzw. von Stahlbürsten. Beliebige Modifizierungen des Kaminofens sind unzulässig. Es sind ausschließlich vom Hersteller freigegebene Ersatzteile zu benutzen. Ausbau der Schamottblöcke (siehe Schamottkammer). Schmieren Sie die Reibungsflächen der Tür und des Schließmechanismus von Zeit zu Zeit mit kohlenstoffhaltigem Fett bzw. mit Schmierstoff für hohe Temperaturen. Ist der Kaminofen außer Betrieb, schließen Sie ihn mit Hilfe der entsprechenden Schieber.

6.2 Reinigung des Warmwassertauschers

Die Luftkanäle des Austauschers sind nach Bedarf, mindestens 1x in 3 Wochen mit Hilfe der mitgelieferten Bürste zu reinigen. Die Verschmutzungsstufe wird vor allem durch die Brennstofffeuchtigkeit, Bedienungsart (z. Betrieb im Sparmodus - gesperrte Luftregler) und ebenfalls durch die Art der Anschließung an das Heizsystem beeinflusst, siehe Kap. 4.3. Die Luftkanäle des Austauschers sind vom Bereich der Verbrennungskammer zugänglich.

Sind bei dem Kaminofen Zugumlenkungsblenden vorhanden, sind diese zu entfernen..

6.3 Reinigung des Kamins

Jeder Benutzer eines Heizgeräts für feste Brennstoffe hat regelmäßige Kontrollen und Reinigung des Kamins **gemäß Regierungsverordnung Nr. 91/2010 vom 1.2.2010 (ersetzt die Verordnung Nr. 111/1981 Slg.)** sicherzustellen.

7. Entsorgung der Verpackung und des ausgesondertes Produkts

Wir empfehlen im Sinne des Gesetzes Nr. 125/1997 Slg. und der zusammenhängenden Vorschriften folgende Art der Entsorgung der Verpackung und des unbrauchbaren, ausgesonderten Produkts.

Verpackung

- Holzteile der Verpackung zum Heizen benutzen
- die Kunststoffverpackung in einen Container für getrennten Abfall geben
- Schrauben und Halter beim Altstoffhandel abliefern
- die Tüte mit dem Luftfeuchtigkeitsseparator als getrennten Abfall entsorgen

Ausgesondertes Produkt:

- das Glas ausbauen und in einen Container mit getrenntem Abfall geben
- Dichtung und Schamottblöcke als Kommunalabfall entsorgen
- Metallteile beim Altstoffhandel abliefern

8. Reparaturen und Reklamationen

Etwaige Service- und Garantiereparaturen werden direkt vom Produktionswerk bzw. mittels Ihres Händlers sichergestellt. Bei einer Reklamation ist die Garantieurkunde, der Einkaufsbeleg des Kaminofens, das Übergabeprotokoll vorzulegen, es ist Ihre genaue Adresse, Telefonnummer anzuführen und es ist der Mangel zu beschreiben. Verlangen Sie beim Einkauf im eigenen Interesse vom Händler die lesbar ausgefüllte Garantieurkunde und das Übergabeprotokoll. Von der Art und vom Ort der Reparatur wird nach Beurteilung des Mangels von der Serviceabteilung beschlossen und die vorgeschlagenen Maßnahmen werden mit dem Inhaber des Kaminofens abgestimmt. Für den Austausch des Kaminofens bzw. für die Aufhebung des Kaufvertrags gelten entsprechende Bestimmungen des Bürgergesetzbuchs und der Reklamationsordnung.

GARANTIEURKUNDE

REKLAMATIONS- UND GARANTIEBEDINGUNGEN DER FIRMA ROMOTOP spol. s r.o., GÜLTIGE FÜR DEN KÄUFER (VERBRAUCHER)

1. Diese Reklamations- und Garantiebedingungen wurden gemäß entsprechenden Paragraphen des Bürgergesetzbuchs und des Kundenschutzgesetzes erstellt.
2. Der Anbieter hat auf Antrag des Verbrauchers einen Beleg über den Einkauf des Produkts bzw. über die Leistung eines Dienstes unter Anführung des Verkaufsdatums des Produkts bzw. Leistung des Dienstes, um was für ein Produkt bzw. eine Dienstleistung es sich handelt und zu welchem Preis das Produkt bzw. die Dienstleistung gewährt wurden, zusammen mit den Identifikationsangaben des Anbieters, mit dem Namen und Familiennamen bzw. der Bezeichnung bzw. der Handelsfirma, ggf. Bezeichnung des Anbieters, seiner Identifikationsnummer, seinem Sitz bzw. seiner Geschäftsadresse, auszustellen, falls durch eine andere Rechtsvorschrift nicht etwas anderes festgelegt wird.
3. Auf das Produkt wird Garantie in der Dauer von **24 Monaten** gewährt. Die Garantie beginnt bei der Abnahme der Sache durch der Verbraucher zu laufen. Bei Bedarf der Inbetriebnahme durch eine autorisierte Firma ggf. Fachfirma beginnt die Garantiefrist erst vom Tag der Inbetriebnahme der Sache zu laufen, falls der Käufer die Inbetriebnahme spätestens innerhalb von drei Wochen nach Übernahme der Sache bestellt hat und rechtzeitig und ordnungsmäßig zur Leistung des Dienstes seine erforderliche Mitwirkung geleistet hat.
4. Die Garantie bezieht sich auf sämtliche, nachweisbar im Laufe der gültigen Garantiezeit entstandenen Produktions- und Materialmängel.
5. Die Garantie bezieht sich nicht auf den durch übliche Nutzung entstandenen Verschleiß und weiter:
 - auf Mängel, entstandene durch fehlerhafte und unsachgemäße Bedienung und Eingriffe, Anschluss an einen ungenügend ausgelegten Kamin bzw. Kamin mit ungenügendem Zug, durch unangemessenen Umgang ggf. unangemessene Benutzung und Nichteinhaltung der Nutzungs- und Instandhaltungsbedingungen (siehe Bedienungsanleitung).
 - auf Mängel, verursacht durch mechanische Beschädigung
 - falls die Sache in feuchten und ungeschützten Räumen gelagert wird ggf. in Räumen benutzt wird, die dem Wohnungsumfeld nicht entsprechen.
 - auf Schäden, entstandene infolge einer Naturkatastrophe Witterungsbedingungen, gewaltsamer Beschädigung.
 - bei Beschädigung der Garantieraufkleber und Fabriknummernschilder.
 - Beschädigung der Ware beim Transport (im Falle des eigenen Transports). Im Falle des Transports mit einer externen Spedition - ist vor Ort zu regeln.
 - falls sich die Angaben der Garantieurkunde bzw. des Kaufbeleges von den Angaben am Typenschild unterscheiden.
6. Auf das bei einer Reparatur bzw. einem Austausch eines Ofenteils verwendete Verbrauchsmaterial bezieht sich Verlängerung der Garantiezeit nicht.
7. Reklamationen sind bei demjenigen Anbieter geltend zu machen, bei dem die Sache gekauft wurde. Ist jedoch in der Garantieurkunde ein anderes, für die Reparatur zuständiges Subjekt festgelegt, mit dem Sitz am Standort des Anbieters bzw. in einem für den Käufer näheren Ort, ist der Käufer berechtigt, die Reparatur bei dem für die Ausführung der Garantiereparatur festgelegten Subjekt vornehmen zu lassen. Das für die Reparatur festgelegte Subjekt hat die Reparatur in der beim Verkauf der Sache zwischen dem Händler und Käufer vereinbarten Frist vorzunehmen.
8. Der Anbieter hat dem Verbraucher eine schriftliche Bestätigung auszustellen, mit der Angabe, wann der Verbraucher das Recht geltend gemacht hat, über den Inhalt der Reklamation und was für eine Art der Erledigung der Reklamation vom Verbraucher angefordert wird, weiter eine schriftliche Bestätigung in der Frist von 30 Tagen über die Ausführung der Reparatur und über das Datum und die Art der Erledigung der Reklamation, einschl. Bestätigung über die Ausführung der Reparatur und deren Dauer, ggf. eine schriftliche Begründung der Ablehnung der Reklamation. Diese Pflicht bezieht sich auch auf Personen, die mit der Ausführung der Reparatur betraut sind.
9. In den ersten 6 Monaten nach dem Einkauf wird die Reklamation als Verletzung des Kaufvertrags gemäß Bestimmung § 616 des Handelsgesetzbuchs erledigt. In den folgenden Monaten wird gemäß § 622 des Bürgergesetzbuchs verfahren, je nach dem, ob es sich um einen behebbaren bzw. unbehebaren Mangel handelt.
10. Reklamationen werden ausschließlich vom Käufer angenommen und mit ihm erledigt.
11. Bei der Übergabe der reklamierten Sache hat der Käufer Typenbezeichnung des Produkts und ausführliche Beschreibung des Mangels (z. B. bei welcher Betriebsart und wie sich der Mangel bemerkbar macht, wie lange nach dem Einheizen, Beschreibung der Handhabung der Sache vor Entstehung des Mangels u. ä.) mitzuteilen ggf. nachzuweisen.
12. Bei der Geltendmachung der Reklamation hat der Käufer nachzuweisen, dass das Produkt beim Anbieter reklamiert wird, der das Produkt verkauft hat und dass die Reklamation innerhalb der Garantiezeit erhoben wird. Um diese Tatsachen nachzuweisen, ist am besten vorzulegen:
 - Verkaufsbeleg
 - bestätigte Garantieurkunde
 - bestätigtes Übergabeprotokoll
13. Sonstige, in diesen Reklamations- und Garantiebedingungen nicht geregelte Verfahren richten sich nach den einschlägigen Bestimmungen des Bürgergesetzbuchs und des Verbraucherschutzgesetzes.

ÜBERGABEPROTOKOLL

Auftraggeber:

Verkaufsort:

Hersteller (die für den Bau verantwortliche Person):

Verzeichnis der Urkundenbelege:

Verzeichnis der Mängel und Nacharbeiten:

Verzeichnis der Projektabweichungen (genehmigte Dokumentation):

Baugenehmigung Aktz.:

Vom: Herausgegeben von:

Technische Aufsicht des Bauherrn:

Aufnahmedatum des Übergabeverfahrens:

Abschlussdatum des Übergabeverfahrens:

Datum der vollständigen Räumung der Arbeitsstelle:

Beginn der Garantiezeit ab:

Erste Einheizung genehmigt am:

Der Abnehmer übernimmt mit seiner Unterschrift Sicherstellung des Schutzes des übernommenen Baus vor der Beschädigung durch Dritte!!!

Hersteller (Unterschrift): den: in

Auftraggeber (Unterschrift): den: in

FR

Mode d'emploi général pour l'installation et l'entretien du poêle de l'entreprise Romotop spol. s r.o.

- valable d'une façon générale pour tous les types de poêle fabriqués par l'entreprise Romotop spol. s r.o. La fiche technique jointe comprend toutes les données techniques détaillées pour le type de poêle donné.

Le poêle ne peut être utilisé que conformément au présent mode d'emploi !

Aucune modification non autorisée ne peut être effectuée sur le poêle !

1. Introduction
2. Description technique
3. Consignes de sécurité
 - 3.1 Distances de sécurité
 - 3.1.1 Distance de sécurité entre le poêle et les matériaux inflammables
 - 3.1.2 Distance de sécurité entre les conduits de fumée et les matériaux inflammables et les pièces de construction
 - 3.2 Protection du plancher
 - 3.3 Mesures en cas d'incendie dans la cheminée
4. Règles de montage
 - 4.1 Consignes générales
 - 4.2 Raccordement à la cheminée
5. Guide d'entretien
 - 5.1 Combustible
 - 5.2 Première mise en service du poêle
 - 5.3 Allumage et chauffage
 - 5.4 Chargement de combustible
 - 5.5 Utilisation pendant la période de transition
 - 5.6 Récupération des cendres
 - 5.7 Nettoyage de la vitre
6. Nettoyage et entretien
 - 6.1 Nettoyage du poêle / démontage des chamottes
 - 6.2 Nettoyage de la cheminée
7. Mode de liquidation des emballages et du produit hors d'usage
8. Réparations et réclamation
9. Certificat de garantie
10. Bordereau de remise

1. Introduction

Nous vous remercions d'avoir opté pour notre poêle et nous vous félicitons chaleureusement car vous venez de devenir le propriétaire d'un poêle de qualité exceptionnelle de l'entreprise Romotop spol. s r.o. faisant partie des meilleurs fabricants européens d'appareils de cheminée.

Notre poêle peut servir non seulement comme chauffage d'appoint renforçant l'atmosphère de votre foyer ou de votre bâtiment récréatif, mais également comme source de chauffage principale avec un rendement thermique élevé, un fonctionnement sans poussière et une combustion parfaite respectant au maximum l'environnement. Tous les appareils de cheminée fabriqués par notre entreprise sont testés conformément aux normes **ČSN EN 13 240/2002+A2/2005**.

Dans votre propre intérêt, veuillez lire soigneusement le mode d'emploi et la fiche technique. Pour un fonctionnement en toute sécurité, l'utilisateur est tenu de s'informer dûment sur l'installation et l'utilisation correctes de ce dispositif. Veuillez conserver le mode d'emploi et la fiche technique de façon à ce que, au début de chaque saison de chauffe, vous puissiez rafraîchir vos connaissances nécessaires à la bonne utilisation de votre poêle.

Nous ne fournissons une garantie pour nos produits que si vous respectez les consignes indiquées dans le présent mode d'emploi relatif à l'utilisation du poêle.

2. Description technique

Le poêle est destiné à être installé dans différents espaces intérieurs (appartements, bâtiments récréatifs, restaurants). Le poêle Romotop est fabriqué à partir de matériaux de construction de qualité - fonte, acier CORTEN et aciers de construction et à chaudière de qualité, les pièces soumises à une charge sont en acier de type HARDOX. La surface des constructions en acier est protégée par un vernis mat réfractaire. Les vernis réfractaires ne sont pas anticorrosifs. L'intérieur de la chambre à combustion du poêle tout en tôle est pavé de plaques en chamotte qui ne sont liées entre elles par aucune matière grasseuse afin de prévenir leur endommagement par les dilatations thermiques. La chambre à combustion peut être fermée solidement à l'aide de la porte équipée d'un vitrage spécial thermorésistant. Non seulement la vitre augmente les sensations esthétiques amenées par le spectacle des flammes dansantes, mais elle permet également la transmission de l'agréable chaleur rayonnante. En outre, le vitrage empêche la projection d'étincelles venant du bois brûlant ainsi que l'arrivée de fumée dans la pièce. Le fond du foyer comprend généralement une grille en fonte amovible. Devant la grille, on place généralement une barrière pour empêcher que le combustible ne tombe ou ne glisse sur la porte (vitre de devant) ou encore une bosse en tôle ou en céramique. Dans le cas des foyers à grille, un espace pour le cendrier se trouve sous la grille. Pour certains types, la bouche du conduit de fumée peut être ajustée en fonction des besoins à la sortie de fumée supérieure ou arrière. Le poêle est fabriqué avec deux revêtements. L'espace entre les revêtements est utilisé pour réchauffer l'air. La partie supérieure du revêtement extérieur est dotée de bouches d'évacuation de l'air réchauffé. Le revêtement extérieur peut être orné de céramique ou de pierre enfin d'accentuer le design et d'améliorer les propriétés d'accumulation thermique du poêle. Pour certains types de poêle, la construction à deux revêtements est adaptée pour le réchauffement de l'eau chaude utile avec possibilité de raccord au système de chauffage standard. Ce poêle peut être équipé d'une courbe de refroidissement empêchant la surchauffe en cas de panne de courant électrique.

Le poêle doté d'une arrivée d'air de combustion primaire et secondaire est équipé des éléments de commande correspondants. L'air primaire est acheminé directement dans le combustible brûlant (généralement par le cendrier et la grille) et sert à la réaction de combustion primaire. L'air secondaire soutient la combustion des gaz combustibles résiduels dans les produits de combustion et augmente ainsi le rendement thermique du dispositif chauffant tout en prenant part de façon significative à la réduction de la quantité des matières nocives rejetées dans l'air ambiant. L'air secondaire est amené avant tout dans l'espace au-dessus du combustible brûlant. Sa présence entraîne le laminage (primage) de l'air froid sur la paroi intérieure de la vitre frontale. En même temps, ce processus empêche la vitre de noircir. En renfermant partiellement ou complètement l'air primaire, l'air secondaire prend également part à la combustion primaire. Lors de l'allumage, quand le tirage de la cheminée est encore faible, laissez l'air primaire complètement ouvert. Lorsque la cheminée commence à chauffer, vous pouvez refermer partiellement voire complètement l'arrivée d'air primaire en fonction du rendement désiré du

poêle. Afin de réduire le rendement du poêle, vous pouvez également opter pour une dose de combustible inférieure ou encore limiter le tirage de la cheminée en montant une trappe à fumée (fermeture manuelle dans le conduit à fumée refermant le passage max. à **75 %**). Nous recommandons cela notamment pour un tirage de cheminée environ égal ou supérieur à **20Pa**. La vanne secondaire est destinée à la fermeture complète du poêle pour arrêter complètement son fonctionnement. Le foyer et le couvercle du cendrier doivent toujours être fermés sauf au moment de la mise en marche, du chargement de combustible et du retrait des résidus solides de la combustion afin d'empêcher que les produits de la combustion s'échappent dans la pièce.

Certains poêles à cheminée sont dotés d'un échangeur d'accumulation thermique ce qui permet d'augmenter l'efficacité d'un tel poêle, permettant une utilisation maximale de l'énergie du combustible.

Certains poêles à cheminée sont fabriqués avec une arrivée d'air centrale (**AAC**). Cette dernière permet d'amener, dans la chambre à combustion du poêle, de l'air pour la combustion à partir des espaces extérieurs, des entrées, des salles techniques etc. Les poêles à cheminée avec **AAC** ne sont pas dépendants de la quantité d'air se trouvant dans l'espace chauffé. Ainsi, ils contribuent non seulement à maintenir un climat agréable dans votre demeure, mais réduisent également les frais d'énergie (l'air réchauffé déjà une fois dans la maison n'est pas consommé).

Les poêles à cheminée avec **AAC** se prêtent tout particulièrement à une installation dans des maisons à faible consommation d'énergie. **Afin d'augmenter le confort, le système de chauffage de certains poêles à cheminée avec AAC peut être équipé d'une régulation électronique de la combustion. Cette dernière apporte en outre la possibilité de prolonger le processus de combustion ainsi que l'intervalle de chargement de combustible, d'augmenter la sécurité du fonctionnement et de limiter le chauffage non-économique et la surchauffe du poêle (la vanne de l'arrivée d'air centrale est contrôlée par l'unité de contrôle et le servomoteur en fonction de la phase actuelle de combustion et de la température de sortie des produits de la combustion).**

Avertissement : Le poêle n'a pas un caractère de dispositif chauffant permanent et il est conçu pour une utilisation périodique interrompue, notamment en raison du vidage du cendrier qui est effectué lorsque les cendres ont refroidi.

3. Consignes de sécurité

Le poêle peut être utilisé dans son environnement normal conforme à la norme **ČSN 33 2000-3/1995**. Dans le cadre d'un changement d'environnement pouvant entraîner un danger transitionnel d'incendie ou d'explosion (par exemple lors du collage de linoléum, PVC, pendant l'utilisation de produits de revêtement etc.), le poêle doit être mis hors d'usage avant que le risque ne survienne. En outre, le poêle ne peut être utilisé qu'après une aération soignée, si possible par courant d'air.

Lors de l'utilisation, il faut assurer qu'une quantité suffisante d'air de combustion et d'air pour l'aération de la pièce soit acheminée, notamment lorsqu'on utilise en même temps un autre dispositif de chauffage (environ **8 à 15m³** pour brûler 1 kg de combustible) ! Cela n'est pas forcément le cas si les fenêtres et les portes sont bien étanches ! On obtient cela lorsqu'on branche l'**AAC** dans une pièce séparée. Par ailleurs, la grille de régulation de l'air de combustion, d'aération et de chauffage ne doit pas être bouchée. Ouvrez toujours la porte pour le chargement du combustible lentement. Ainsi, vous empêcherez la fumée et les cendres de s'échapper dans la pièce. Le poêle demande de temps à autre à être entretenu et surveillé.

Aucun liquide inflammable ne doit être utilisé pour l'allumage et le chauffage ! En outre, il est interdit de brûler des plastiques, des matériaux en bois avec divers agglomérats chimiques (agglomérés etc.), quels qu'ils soient, ainsi que des déchets ménagers non triés issus des résidus de plastique et autres conformément à la **loi 201/2012**.

Pendant le chauffage, assurez-vous que le poêle n'est pas manipulé par des enfants. Le poêle ne peut être utilisé que par des personnes adultes !

Pendant le fonctionnement, maniez tous les manches et les boutons à l'aide de pinces, de crochets, voire votre main protégée par un gant (isolant) - risque de brûlure ! Pendant son utilisation et lorsqu'il est encore chaud, il est interdit de déposer sur le poêle des objets en matériaux inflammables, quels qu'ils soient, susceptibles de causer un incendie. Veuillez être très prudent en manipulant le cendrier et en retirant les cendres

brûlantes car vous risquez de vous brûler. Les cendres brûlantes ne doivent pas entrer en contact avec des objets inflammables - par exemple pendant le versement dans les récipients destinés aux déchets communaux.

En cas d'utilisation saisonnière et en cas de mauvaises conditions de tirage ou climatiques, il est nécessaire de porter une attention accrue lorsqu'on met le poêle en fonction. Après une longue période d'interruption de fonctionnement, il est nécessaire de contrôler si les voies de combustion n'ont pas été bouchées avant de rallumer le poêle.

Pendant l'utilisation et l'installation du poêle, il est nécessaire de respecter les consignes de sécurité conformes à la norme ČSN 06 1008/1997, notamment :

3.1 Distances de sécurité :

3.1.1 Distance de sécurité entre le poêle et les matériaux inflammables

Pendant l'installation du poêle dans un espace contenant des objets inflammables de classe d'inflammabilité **B, C1** et **C2**, la distance de sécurité d'après la norme **ČSN 06 1008/1997**, à savoir **80cm** de la porte et **20cm** des autres objets, doit être respectée, sauf s'il en est mentionné autrement par le fabricant, se référer à la **documentation technique** et la **plaque de fabrication**.

Si le poêle est installé dans un espace contenant des objets inflammables de classe **C3**, ces distances doivent être multipliées par deux. Les informations sur le degré d'inflammabilité de certains matériaux de construction sont évoquées par la norme **ČSN 73 0823/1983**. S'il est impossible de respecter la distance de sécurité du dispositif chauffant par rapport aux substances inflammables tel que prévu par la norme, il est nécessaire d'utiliser une cloison de protection conformément à **4.4.1 ČSN 06 1008/1997**.

Matériaux de construction classés par degré d'inflammabilité

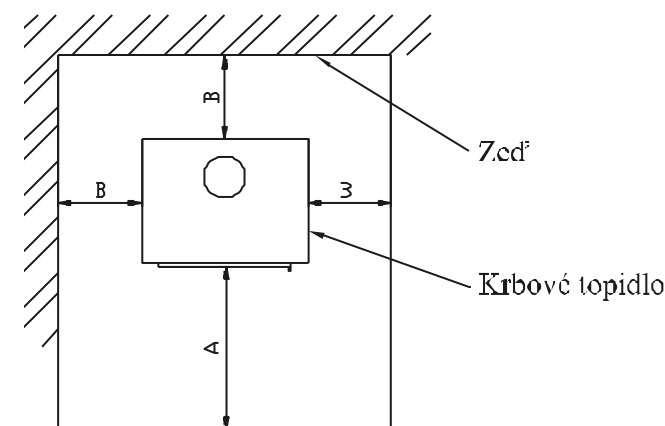
A non inflammables granit, grès, bétons, briques, carreaux de céramique, plâtres spéciaux

B peu inflammable acuminé, fibrociment, lihnos, Itaver

C1 difficilement inflammables bois feuillu, contre-plaqué, formica, papier durci, Umakart

C2 inflammabilité moyenne aggloméré, solodur, liège, caoutchouc, revêtements

C3 inflammabilité facile planches de fibre de bois, polystyrène, polyuréthane



Obr.1

Distances minimales :

A > 80cm

B > 20cm

3.1.2 Distance de sécurité entre les conduits de fumée et les matériaux inflammables et les pièces de construction

La distance de sécurité avec la garniture du cadre de porte et autres constructions placées de cette sorte en matériaux inflammables d'une part et l'installation de tuyaux y compris les isolations est d'au moins **20cm**. Les autres parties des constructions en matériaux inflammables doivent être à une distance minimale de **40cm** (voir image 2) selon **ČSN 06 1008/1997**. Il s'agit des matériaux de construction de classe d'inflammabilité **B, C1** et

C2 selon **ČSN EN 13501-1/2010** (voir tableau n° 1). Ceci s'applique également aux murs et notamment aux plafonds avec enduit sur fond inflammable, par exemple les voliges etc. ! Si ces distances ne peuvent être respectées, il faut pallier le risque d'incendie à l'aide de mesures techniques de construction, de revêtements ignifuges, d'isolations et de cloisons résistantes à la chaleur.

3.2 Protection du plancher

Si le poêle n'est pas installé sur un plancher non inflammable à **100 %**, il est nécessaire de le placer sur un tapis non inflammable isolant, par exemple sur de la tôle (épaisse d'au moins 2 mm), de la céramique, du verre durci, de la pierre, de façon à ce que la température du plancher inflammable d'après **ČSN 73 4230/2004** pendant le fonctionnement ne dépasse pas **50 °C**.

D'après 5.1.3.3 **ČSN 06 1008/1997**, le tapis isolant doit dépasser le foyer d'au moins

- **30cm** verticalement par rapport à la porte de chargement du poêle.
- **10cm** horizontalement par rapport à la porte de chargement du poêle.

Aucun objet en matière inflammable ne doit être déposé sur le poêle ni à une distance inférieure à la distance de sécurité.

3.3 Mesures en cas d'incendie dans la cheminée :

À la suite d'un fonctionnement courant, notamment à cause de combustible humide, des cendres et du goudron sont déposés dans la cheminée. Lorsqu'on néglige les contrôles réguliers et le nettoyage de la cheminée **conformément au règlement du gouvernement n° 91/2010 du J.O. daté du 1^{er} mars 2010 remplaçant l'avis n° 111/1981 du J.O.**, la probabilité d'un incendie dans cette dernière augmente.

En cas d'ignition des cendres et du goudron dans la cheminée, procédez de la façon suivante :

- n'éteignez avec de l'eau dans aucun cas, cela provoquerait l'apparition d'une trop grande quantité de vapeur ce qui mènerait à la déchirure de la cheminée
- si possible, versez du sable sec sur le foyer pour éteindre le feu
- fermez toutes les arrivées d'air pour la combustion, si possible recouvrez la cheminée, cependant, il ne faut pas que la fumée s'amasse dans l'espace de la maison
- contactez l'équipe des sapeurs-pompiers locale afin d'évaluer la nécessité d'informer les services de pompiers d'urgence
- ne quittez pas la maison jusqu'à ce que la cheminée s'éteigne, contrôlez la température de la cheminée et le déroulement de la combustion au fur et à mesure
- après la fin de la combustion et avant de rallumer le poêle, veuillez contacter le service de ramonage afin que celui-ci évalue l'état de la cheminée, ainsi que le fabricant du poêle pour un contrôle.

4. Règles de montage

Avertissement : Pendant le montage du poêle, toutes les règles locales doivent être respectées, y compris les règles relatives aux normes nationales et européennes pour ce type d'appareils, notamment :

ČSN 73 4230/2004 - Cheminées avec foyer ouvert et fermé

ČSN EN 13229/2002+A1/2003+A2/2005 - Appareils de chauffage encastrables et inserts de cheminée pour combustible solide

ČSN EN 13240/2002+A2/2005 - Appareils à combustible solide servant au chauffage des espaces d'habitation

ČSN 73 4201/2010 - Cheminées et conduits de fumée - conception, réalisation et branchement des appareils à combustion

ČSN EN 1443/2004 - Cheminées – Exigences générales

ČSN EN 13501/2010 - Classification des produits de construction et des constructions des bâtiments relative aux incendies

ČSN 06 1008/1997 - Dispositifs de sécurité anti-incendie

4.1 Consignes générales

Le poêle doit être installé sur des planchers supportant la charge correspondante. Si l'installation existante ne remplit pas cette condition essentielle, des mesures adéquates doivent être prises pour remplir cette exigence (par exemple l'utilisation d'un tapis répartissant la charge). Lors de l'installation, il est nécessaire d'assurer un accès adéquat pour le nettoyage du poêle, du conduit de fumée et de la cheminée s'il n'est pas possible de nettoyer cette dernière à partir d'un autre endroit, par exemple le toit ou la petite porte destinée à cet effet.

4.2 Raccordement à la cheminée

Avant le montage du poêle fermé, il faut calculer si la construction de la cheminée correspondra par sa réalisation, la dimension des conduits d'aération et la hauteur utile au rendement nominal du poêle installé.

La condition d'un bon fonctionnement du poêle est une cheminée adéquate (section minimale, tirage de la cheminée, étanchéité etc.). Ainsi, avant de mettre en place le poêle, veuillez consulter un ramoneur qualifié. Vous trouverez les valeurs pour la cheminée dans la fiche technique jointe. Dans les cas où le tirage de la cheminée est trop élevé, il convient d'installer une trappe à cheminée adéquate ou un régulateur de tirage de la cheminée. Un tirage trop élevé peut causer des problèmes pendant le fonctionnement, par exemple une combustion trop intense, une consommation de combustible élevée, et peut également entraîner un endommagement irréversible du poêle.

La hauteur utile la plus basse de la cheminée pour l'évacuation des produits de la combustion provenant du poêle est de **5 m** (mesuré à partir de la frette après la bouche de la cheminée). L'entrée dans la cheminée doit être équipée d'une frette. Le raccordement au carneau doit être consulté avec le fabricant du carneau. Le carneau doit déboucher au moins à **5 cm** du plafond. Reliez la bouche de tirage avec la cheminée par le chemin le plus court possible de manière à ce que la longueur des voies de fumée ne dépasse pas **1/4** de la hauteur utile de la cheminée (à savoir **1,5m**). Les tuyaux à fumée et le coude doivent être reliés étanchement en se chevauchant de façon à ce que les joints soient assemblés en fonction du sens du courant des produits de la combustion, ou encore assemblés bout à bout à l'aide d'anneaux de liaison. Si la pièce de liaison traverse des pièces de construction avec des matériaux de construction inflammables, il est nécessaire de respecter les mesures de protection d'après la norme **ČSN 06 1008/1997**. D'après celle-ci, le conduit de fumée doit s'élever en direction du carneau dans le sens du courant des produits de la combustion sous un angle d'au moins **3°**. L'étanchéité et la solidité des joints sont capitales. La cheminée et le raccordement du poêle doivent correspondre à **ČSN 73 4201/2010**. Lors de la température de fonctionnement la plus élevée de la cheminée, la chaleur du revêtement de la cheminée ne doit pas dépasser **52 °C**. La section des bouches d'aération du conduit de fumée ne doit pas être supérieure à la section de l'aération de la cheminée et ne doit pas rétrécir en direction de la cheminée. Si les calculs démontrent que la section de l'aération du conduit de cheminée et de la cheminée peut être inférieure à la section de la bouche de combustion du poêle, la section du conduit de fumée diminuera juste après la bouche de combustion du poêle par entrée courte ou par saut. Un conduit de fumée flexible, matériau d'après le tableau **A.1.** peut être utilisé dans les endroits où on peut garantir son contrôle d'après la norme **7.2.1 ČSN 73 4201/2010**, si le conduit de fumée ne passe pas par un espace dégagé, la possibilité de pouvoir le contrôler doit être garantie par modification d'après **7.2.5 ČSN 73 4230/2004**. Un conduit de fumée vertical ne peut être utilisé que dans les cas indiqués dans **8.3.4 et 8.3.5 ČSN 73 4230/2004**.

Le poêle peut être raccordé à une aération commune avec un appareil à gaz **dans le cas de cheminées à plusieurs couches d'après ČSN 73 4201/2010**.

Il est possible d'installer deux poêle de l'entreprise Romotop spol. s r.o. raccordés à une cheminée commune conformément à l'article **6.6.2.** do norme **DIN18 896**.

5. Guide d'entretien

5.1 Combustible

Dans le poêle, il est autorisé de brûler uniquement du bois ou des briquettes en bois conformément à la loi **201/2012**. Afin d'atteindre les paramètres nominaux du dispositif chauffant, il est recommandé d'utiliser des bûches sèches d'un diamètre de **5-8cm**, de longueur **20-30cm**, d'une humidité inférieure à **20%** (idéalement **10%**). N'utilisez du petit bois ou du bois coupé finement uniquement pour l'allumage. La siccité recommandée du bois est atteinte en entreposant les bûches pendant au moins deux ans dans un abri aéré.

Il est nécessaire de chauffer le poêle au rendement nominal indiqué dans la fiche technique ce qui signifie la combustion du combustible donné à la quantité autorisée en **1 heure**. En cas de surcharge excessive pendant longtemps, l'appareil de chauffage à cheminée risque d'être endommagé.

N'utilisez jamais des liquides inflammables, du coke, du charbon en tant que combustible, ni des déchets des types suivants : plaques en aggloméré, matières plastiques, sacs en plastique, bois enduit ou copeaux de bois séparés, sciure de bois ou pellets !

!!! Non seulement la combustion de tels matériaux est très nocive pour l'environnement et pour nous tous, mais elle endommage également le poêle ainsi que la cheminée !!!

5.2 Première mise en service du poêle

Avant la première mise en service, il faut veiller à retirer les éventuels autocollants de la vitre, les pièces d'accessoires du cendrier, voire les retirer du foyer, ce qui est valable également pour les éventuelles sécurités utilisées pendant le transport. D'après l'image de la fiche technique, contrôlez si les cloisons librement insérées destinées à diriger le tirage, les blocs de chamotte ou encore le dispositif de blocage sont correctement placés (il est possible qu'ils se soient déplacés pendant le transport ou l'installation). Si vous constatez un défaut de placement, rectifiez-le, sinon le fonctionnement correct de l'appareil de chauffage risque d'être empêché. Après le placement du poêle, le raccord à la cheminée, voire le raccord de l'échangeur à la distribution d'eau chaude et son remplissage par le médium chauffant, chauffez le poêle et laissez chauffer tranquillement pendant au moins 1 heure. Avant et pendant le premier chauffage, laissez la porte du poêle et du cendrier légèrement ouverte (**env. 1-2mm**) de façon à ce que le matériau d'étanchéité ne se lie pas avec le vernis. Le revêtement de surface du poêle est formé par une couleur réfractaire qui se renforce pendant le premier chauffage, suite à une phase intermédiaire de ramollissement. Pendant la phase de ramollissement, il existe un danger accru d'endommagement de la surface du vernis par la main ou par un objet. Pendant le premier chauffage, le poêle doit être « allumé » avec une petite flamme, en brûlant une petite quantité de combustible, à température plutôt basse. Tous les matériaux doivent s'habituer à la charge thermique. En effectuant le premier chauffage avec précaution, vous empêchez la création de déchirures dans les briques en chamotte, l'endommagement du vernis et la déformation des matériaux de la construction de l'insert. Le durcissement du vernis du poêle est accompagné d'une odeur temporaire disparaissant complètement au bout d'un moment.

C'est pour cela que pendant que la substance pulvérisée brûle, il est nécessaire d'assurer l'aération correcte de la pièce, voire d'évacuer les petits animaux ou les oiseaux de l'espace comprenant les vapeurs de vernis, il est également recommandé d'éteindre l'oxygénation des aquariums pendant ce temps.

5.3 Allumage et chauffage

1. Pour les poêles à cheminée avec grille - insérez tout d'abord du papier chiffonné dans l'espace du foyer puis posez du petit bois dessus. Pour l'allumage, vous pouvez utiliser l'allume-feu fixe **PE-PO**. Après l'allumage, laissez le feu brûler librement tout en gardant les éléments de régulation d'air ouverts. **Il est interdit d'utiliser des liquides inflammables (essence, pétrole, etc.) pour le chauffage !** Dès que le feu commence à

brûler et que le tirage est suffisant, vous pouvez ajouter des bûches plus grandes ou encore les briquettes en bois sans avoir peur d'être enfumé. Chargez la quantité prescrite de combustible d'après le rendement nominal du poêle.

2. Pour les poêles à cheminée sans grille - seul l'air secondaire est utilisé pour la combustion, ainsi, insérez d'abord des bûches en bois dans l'espace du foyer, puis du petit bois et enfin des copeaux de bois et du papier. Après l'allumage, laissez le feu brûler librement tout en gardant les éléments de régulation d'air ouverts. **Il est interdit d'utiliser des liquides inflammables (essence, pétrole, etc.) pour le chauffage !** Dès que le feu commence à brûler et que le tirage est suffisant, vous pouvez ajouter des bûches plus grandes ou encore les briquettes en bois sans avoir peur d'être enfumé. Chargez maximalement la quantité prescrite de combustible d'après le rendement nominal du poêle.

La consommation de combustible est toujours indiquée dans la fiche technique. Vous pouvez régler l'intensité de la combustion à l'aide des éléments de contrôle pour l'arrivée d'air, voire en limitant le tirage dans la cheminée, si une trappe à fumée a été installée. Une trop grande quantité de combustible ou un tirage ou une arrivée d'air importants peuvent mener à la surchauffe et à l'endommagement du poêle. Un tirage trop faible entraîne le noircissement des vitres, voire l'échappement de la fumée dans la pièce lorsqu'on ouvre la porte et que l'on charge le combustible dans le poêle.

Avertissement : La porte du foyer doit toujours être fermée sauf lors de la mise en service du poêle, lors du chargement de combustible et lors du retrait des cendres. Après chaque interruption prolongée du fonctionnement du poêle, il est nécessaire, avant de le rallumer, d'effectuer le contrôle de la non-obstruction et de la propreté des circuits de fumée, de la cheminée et de l'espace de combustion. Généralement, le réchauffement et le refroidissement de l'insert de cheminée s'accompagne d'effets acoustiques, cela ne constitue pas un défaut.

5.4 Chargement de combustible

Afin d'empêcher l'échappement de gaz de fumée dans la pièce pendant le chargement de combustible, nous recommandons : Environ 5 à 10 secondes avant l'ouverture de la porte du foyer, ouvrez complètement les régulateurs d'air, puis ouvrez tout d'abord légèrement la porte du foyer, attendez quelques secondes que les émanations de fumée soient aspirées dans la cheminée, et après seulement ouvrez la porte complètement. Après l'ouverture de la porte de chargement, il faut surveiller la possible chute de tisons brûlants. Après le chargement de combustible, refermez la porte du foyer. Lorsque le combustible commence à brûler (sans flamme fumeuse), réglez à nouveau le régulateur dans sa position d'origine. La quantité de combustible chargé doit correspondre à la consommation horaire indicative pour le poêle donné (cf. fiche technique). En cas de surchauffe, la construction du poêle peut être endommagée de façon irréversible.

Avertissement : Un échappement trop important de produits de la combustion dans la pièce pendant le chargement peut être évité en rajoutant le combustible après brûlement complet sur la base incandescente.

5.5 Utilisation pendant la période de transition

Pendant la période de transition, à savoir lorsque les températures extérieures dépassent **15 °C**, pendant les journées pluvieuses et humides, ou encore en cas de fortes rafales de vent, le tirage de la cheminée (aspiration des produits de la combustion à partir du poêle) peut se détériorer en fonction des conditions. Pendant cette période, il convient d'utiliser le poêle avec la plus petite quantité de combustible possible, afin qu'il soit possible, en ouvrant les arrivées d'air, d'améliorer la combustion et par conséquent le tirage de la cheminée.

Astuce : Pendant cette période, à cause des propriétés du tirage de la cheminée, ce que l'on appelle « un bouchon atmosphérique » peut survenir dans la bouche de la cheminée. Ce dernier peut causer l'infiltration de fumée dans la pièce pendant l'allumage du combustible. C'est pour cela que nous recommandons, avant l'allumage en tant que tel, de laisser tout d'abord brûler un morceau de papier chiffonné, si possible dans la

partie supérieure du foyer. Cette fumée qui semble pourtant minime suffit à percer le bouchon atmosphérique créé. Ensuite, nous pouvons allumer le papier (ou PE-PO) sans crainte et le passage sera garanti même si la cheminée est humide.

Pendant cette période, on peut également chauffer le combustible comme pour les poêles à cheminée sans grille (sans cendrier).

5.6 Récupération des cendres

Veillez à ce que le cendrier soit vidé dès qu'il est rempli environ à moitié, de façon à ce que le tas de cendres ne s'amoncelle pas trop près de la grille et que cette dernière ne s'abîme pas pour cause de surchauffe. En même temps, les cendres empêcheraient l'arrivée d'air nécessaire à la combustion. Le vidage du cendrier devrait être effectué lorsque celui-ci est froid, idéalement lorsqu'on se prépare à rallumer le poêle. Afin de nettoyer le cendrier ou encore les foyers sans cendrier lorsqu'ils sont refroidis, il est pratique d'utiliser un aspirateur destiné à l'aspiration des cendres avec filtre pour les petites impuretés. Les cendres issues du bois brûlé peuvent être utilisées pour le compost ou comme engrais. Conservez les cendres dans des récipients fermés non inflammables.

Avertissement : Avant de vider le cendrier, vérifiez s'il ne comprend pas des restes de combustible brûlant qui pourraient provoquer un incendie dans le récipient à déchets.

Avertissement : Pour certains types de poêles à cheminée, le cendrier est placé dans le bac sous la grille sans possibilité d'extraction latérale. Le cendrier ne peut être extrait que lorsque le dispositif chauffant ne fonctionne pas et lorsqu'il est refroidi. L'accès au cendrier est permis après soulèvement de la grille.

Soyez très prudent lorsque vous ôtez les cendres brûlantes !

5.7 Nettoyage de la vitre

Afin de conserver la propreté de la vitre, il faut veiller à utiliser un combustible adapté, permettre une arrivée d'air de combustion suffisamment importante ainsi qu'un tirage de cheminée correspondant, mais il faut également prendre en compte la façon dont le poêle est manipulé. Dans cet ordre d'idées, nous recommandons de ne charger qu'une seule couche de combustible et ce de façon à ce que ce dernier soit réparti le plus équitablement possible dans le foyer et à ce qu'il soit le plus loin possible de la vitre. Ceci est également valable pour les briquettes (distance entre 5 et 10 mm). Si la vitre est salie pendant le processus de chauffage, nous recommandons d'augmenter l'intensité de la combustion en ouvrant le régulateur d'air, ce qui entraîne généralement le nettoyage automatique de la vitre.

Si la vitre de la porte est enfumée, on peut la nettoyer, lorsque celle-ci est refroidie, à l'aide de papier journal ou d'un chiffon humide trempé dans des cendres de bois. Usuellement, au moment de nettoyage de la vitre d'un poêle, les nettoyeurs liquides sont utilisés.

Mais ces nettoyeurs liquides peuvent endommager le joint et/ou la vitre et/ou la sérigraphie décorative sur la vitre du poêle, en interaction avec les résidus de combustion (particules de cendre,.. etc.) et sans l'égard à la composition chimique du nettoyeur.

Le fabricant décline toute responsabilité des dégâts causés par l'utilisation des nettoyeurs chimiques.

6. Nettoyage et entretien

Votre poêle est un produit de qualité et dans le cadre d'une utilisation normale, aucune panne majeure ne survient. Nous recommandons de contrôler et de nettoyer soigneusement le poêle ainsi que les voies de combustion avant et après la saison.

N'effectuez le nettoyage du poêle que lorsque celui-ci est froid !

6.1 Nettoyage du poêle / démontage des chamottes

Pendant le nettoyage, il est nécessaire d'éliminer les résidus dans les conduits de fumée et dans l'espace de combustion. Réparer, si possible en les échangeant, les parties du garnissage en chamotte qui sont tombées. Il faut veiller à ce que le garnissage en chamotte soit complet même pendant la saison de chauffage. Les espaces entre les différents raccords en chamotte servent de dilatation thermique afin d'empêcher que les raccords n'éclatent et ces espaces ne doivent pas être remplis par quoi que ce soit, par exemple une substance pour graisser comme c'était le cas pour les dispositifs chauffants à combustible solide plus anciens. **Les raccords en chamotte fissurés restent fonctionnels s'ils ne tombent pas complètement !** Pendant le nettoyage, nous recommandons d'enlever du poêle les parois librement placées servant à diriger le tirage, si ces dernières sont utilisées pour le poêle (ainsi, l'accès à l'espace situé au-dessus est facilité). Le nettoyage du poêle (en dehors de la vitre) est effectué sans agents aqueux, par exemple par aspiration ou avec une brosse en acier. Toute modification du poêle est inadmissible. N'utilisez que des pièces de rechange approuvées par le fabricant. Démontage de la chamotte (cf. Âtre en chamotte). Les parties de frottement des suspensions de la porte et du mécanisme de fermeture doivent être graissées de temps en temps avec de la graisse de charbon ou de la graisse conçue pour des températures élevées. Fermez le poêle avec les vannes adaptées lorsqu'il est hors d'usage.

6.2 Nettoyage de la cheminée

Chaque utilisateur d'un dispositif de chauffage à combustible solide est tenu d'assurer des contrôles et un nettoyage réguliers de la cheminée conformément au **règlement du gouvernement n° 91/2010 du J.O. daté du 1.3.2010 remplaçant l'avis n°111/1981 du J.O.**

7. Mode de liquidation des emballages et du produit hors d'usage

Dans le sens de la loi n° 125/1997 du J.O. et des règlements connexes, nous recommandons le procédé suivant de liquidation de l'emballage ainsi que du produit prêt à être liquidé.

L'emballage :

- a) utiliser les parties en bois de l'emballage pour chauffer
- b) placer l'emballage en plastique dans un container pour déchets triés
- c) déposer les vis et les manches dans les matériaux triés.
- d) placer le sachet avec le séparateur d'humidité de l'air dans un récipient à déchets séparé

Le produit prêt à être liquidé :

- a) démonter la vitre et la placer dans un container pour déchets triés
- b) déposer les joints et les plaques en chamotte dans les déchets communaux
- c) déposer les parties en métal dans les matériaux triés

8. Réparations et réclamation

Les réparations liées au service après-vente et à la garantie sont assurées directement par l'entreprise de fabrication ou encore par l'intermédiaire du vendeur. Dans le cadre de la réclamation, il est nécessaire de présenter le certificat de garantie, le justificatif d'achat du poêle, le bordereau de remise, ainsi que de fournir votre adresse précise, votre numéro de téléphone et décrire le défaut. Dans votre propre intérêt, lors de l'achat, demandez au vendeur un certificat de garantie et un bordereau de remise remplis de façon lisible. Après évaluation du défaut, le mode et l'endroit de la réparation seront déterminés par le département de service après-vente et les mesures proposées seront consultées avec le propriétaire du poêle. Pour échanger le poêle ou annuler le contrat d'achat, les dispositions correspondantes du Code civil et du règlement des réclamations s'appliquent.

CERTIFICAT DE GARANTIE

CONDITIONS DE RECLAMATION ET DE GARANTIE DE L'ENTREPRISE ROMOTOP spol. s r.o. VALABLES POUR L'ACHETEUR (CONSOUMMATEUR)

1. Les présentes conditions de réclamation et de garantie sont élaborées conformément aux articles correspondants du Code civil et du Code de protection du consommateur.
2. À la demande du consommateur, le vendeur est tenu d'établir un justificatif d'achat du produit ou de prestation du service en indiquant la date de vente du produit ou de la prestation du service, ainsi qu'en indiquant de quel produit ou de quel service il s'agit et à quel prix le produit a été vendu ou le service a été fourni, de même que les données d'identification du vendeur comportant son nom et son prénom ou la raison sociale ou le nom de l'entreprise, voire le nom du vendeur, son numéro d'identification, son siège ou son lieu d'exercice, sauf mention contraire dans la législation spéciale.
3. Le produit fait l'objet d'une garantie de **24 mois**. La garantie commence le jour de la remise du produit au consommateur. En cas de besoin d'une mise en service par une entreprise autorisée, voire spécialisée, la période de garantie est entamée seulement à compter du jour de la mise en service du produit, si l'acheteur a commandé la mise en service au plus tard dans un délai de trois semaines à compter de la remise du produit et qu'il a fait preuve dûment et à temps de la synergie nécessaire à la mise en service.
4. La garantie s'applique à tous les défauts de construction et les défauts matériels apparus sans équivoque au cours de la période de garantie valide.
5. La garantie ne s'applique pas à l'usure du produit causée par son utilisation normale ni aux défauts suivants :
 - les défauts dus à une utilisation et des interventions inappropriées et non professionnelles, au raccordement à une cheminée aux dimensions insuffisantes ou une cheminée avec un tirage trop faible, à une manipulation ou une utilisation excessives et au non respect des conditions d'utilisation et d'entretien (voir Guide d'entretien).
 - défauts causés par endommagement mécanique
 - si le produit est entreposé dans des espaces humides et non couverts, voire est utilisé dans des espaces qui ne correspondent pas à des espaces d'habitation.
 - les dommages causés par des catastrophes naturelles, les conditions climatiques, un endommagement violent.
 - en cas d'endommagement des étiquettes et des plaquettes de garantie avec les numéros de fabrication.
 - en cas d'endommagement du produit pendant le transport (lorsque l'acheteur assure le transport). En cas de transport par le biais d'un service d'expédition externe - doit être réglé par contrôle sur place.
 - si les données figurant sur le certificat de garantie ou le justificatif d'achat diffèrent des données sur la plaquette de fabrication.
6. La prolongation de la période de garantie ne s'applique pas au matériel de consommation utilisé dans le cadre de la réparation ou de l'échange des pièces du poêle.
7. Le client fait valoir sa réclamation auprès du vendeur lui ayant vendu le produit. Cependant, si un autre entrepreneur figure sur le certificat de garantie en ce qui concerne la réparation et que celui-ci se trouve à l'endroit du vendeur ou dans un endroit plus proche pour l'acheteur, l'acheteur fait valoir le droit de faire réparer son produit auprès de l'entrepreneur désigné pour la réalisation de la réparation dans le cadre de la garantie. L'entrepreneur désigné pour la réparation est tenu d'effectuer la réparation dans les délais convenus entre le vendeur et l'acheteur lors de la vente du produit.
8. Le vendeur est tenu de dresser, pour le consommateur, un certificat écrit précisant la date à laquelle le consommateur a fait valoir son droit, le contenu de la réclamation et le mode de règlement de la réclamation demandée par le consommateur ; en outre, il doit fournir un certificat écrit dans un délai de 30 jours concernant la réalisation de la réparation en précisant la date et le mode de règlement de la réclamation, y compris le justificatif de réalisation de la réparation et la durée de la réparation, voire le cas échéant une justification écrite du refus de la réclamation. Cette obligation concerne également les autres personnes désignées dans le cadre de la réalisation de la réparation.
9. Au courant des premiers six mois à compter de l'achat, la réclamation sera réglée en tant que contradiction avec le contrat d'achat conformément à la disposition § 616 du Code civil. Dans les mois suivant la période de garantie, il sera procédé conformément à la disposition § 622 du Code civil en fonction du fait s'il s'agit d'un défaut réparable ou non réparable.
10. Les réclamations sont réceptionnées et traitées uniquement avec l'acheteur.
11. Lors de la transmission du produit pour la réclamation, l'acheteur est tenu de renseigner, voire de prouver la désignation du type du produit ainsi que la description détaillée du défaut (par exemple dans quel mode et de quelle manière le défaut se manifeste, combien de temps après l'allumage, la description de la manipulation avec le produit avant l'apparition du défaut, etc.).
12. Lorsque l'acheteur fait valoir la réclamation, l'acheteur est tenu de prouver que le produit réclamé a été acheté auprès du vendeur ayant vendu le produit et que la période de garantie est en cours. Pour prouver ces faits, il convient de présenter :
 - le justificatif de vente
 - le certificat de garantie validé
 - le bordereau de remise validé
13. Les autres procédés non régis par les présentes conditions de réclamation et de garantie sont régis par les dispositions correspondantes du Code civil et du Code de protection du consommateur.

BORDEREAU DE REMISE

Auteur de la commande :

Adresse de réalisation :

Réalisateur (personne responsable de la construction) :

Liste des justificatifs sur papier :

Liste des défauts et des manquements :

Liste des écarts par rapport au projet (documentation approuvée) :

Permis de construction n° réf. :

Date : Émis :

Surveillance technique de l'investisseur :

Date de commencement de la procédure de transmission :

Date d'achèvement de la procédure de transmission :

Date de la libération totale du chantier :

La période de garantie commence le :

Le premier allumage et autorisé le :

Par sa signature, l'acheteur accepte d'assurer la sécurité du produit remis avant son endommagement par des tiers !!!

Réalisateur (signature) : le : à

Auteur de la commande (signature) : le : à

IT **Manuale generale per l'installazione e l'uso dei termocamini della ditta Romotop spol. s r.o.**

- valido in generale per tutti i tipi di termocamini prodotti dalla ditta Romotop spol. s r.o.
Nella scheda tecnica allegata sono riportati i dati tecnici dettagliati del singolo tipo di termocamino.

I termocamini possono essere utilizzati esclusivamente in conformità con il presente manuale!

Non è consentito realizzare modifiche non autorizzate dei termocamini!

1. Introduzione
2. Descrizione tecnica
3. Norme di sicurezza
 - 3.1 Distanze di sicurezza
 - 3.1.1 Distanze di sicurezza tra il termocamino ed eventuali materiali infiammabili
 - 3.1.2 Distanza di sicurezza tra condotto di evacuazione dei fumi e materiali infiammabili o strutture edilizie
 - 3.2 Protezione della pavimentazione
 - 3.3 Misure in caso di incendio nel camino
4. Istruzioni per l'assemblaggio
 - 4.1 In generale
 - 4.2 Collegamento al camino
5. Manuale d'uso
 - 5.1 Combustibile
 - 5.2 Prima messa in funzione del termocamino
 - 5.3 Accensione del fuoco e riscaldamento
 - 5.4 Aggiunta del combustibile
 - 5.5 Impiego nel corso dei periodi di transizione
 - 5.6 Estrazione della cenere
 - 5.7 Pulizia del vetro
6. Pulizia e manutenzione
 - 6.1 Pulizia del termocamino / smontaggio chamotte
 - 6.2 Pulizia del camino
7. Modalità di smaltimento della confezione e del prodotto dismesso
8. Riparazioni e reclami
9. Certificato di garanzia
10. Protocollo di vendita

1. Introduzione

Grazie per aver acquistato uno dei nostri termocamini. Le porgiamo al tempo stesso le nostre congratulazioni poiché Lei è divenuto/a proprietario/a di un termocamino di altissimo livello realizzato dalla ditta Romotop spol. s r.o., uno dei maggiori produttori europei di termocamini.

I nostri termocamini possono servire non soltanto come riscaldamento complementare volto a rafforzare l'atmosfera della vostra casa o altro locale, ma anche come fonte di riscaldamento principale con elevata prestazione termica, utilizzo privo di polvere e combustione perfetta, con il massimo rispetto per l'ambiente. Tutti i termocamini prodotti dalla nostra ditta sono testati secondo la norma **ČSN EN 13 240/2002+A2/2005**.

Il manuale e la scheda tecnica vanno studiati attentamente nel proprio interesse. Ai fini di un utilizzo sicuro l'utente ha l'obbligo di informarsi regolarmente circa la corretta integrazione e funzionamento del presente dispositivo. Il manuale e la scheda tecnica vanno ben conservati in modo tale da essere riletti all'inizio di ciascuna stagione invernale per assicurare il regolare funzionamento del vostro termocamino.

La garanzia per i nostri prodotti è assicurata soltanto nel caso in cui siano ben rispettate le istruzioni contenute nel presente manuale d'uso del termocamino.

2. Descrizione tecnica

Il termocamino è progettato per l'installazione in ambienti interni (appartamenti, edifici di comune utilità, ristoranti). I termocamini Romotop sono prodotti in materiale di qualità – materiale edilizio, ghise, acciaio COR-TEN ed altri tipi di acciaio di alta qualità per fini edilizi e per caldaia. I pezzi sottoposti a stress sono in acciaio HARDOX. La superficie delle parti in acciaio è protetta da una vernice opaca resistente al calore. Le vernici resistenti al calore non sono anticorrosive. La camera di combustione dei termocamini interamente in lamiera è riempita con lastre in chamotte estraibili che – al fine di evitare loro possibili danneggiamenti causati dalla dilatazione termica – non sono unite da nessun materiale di riempimento. La camera di combustione è chiudibile in maniera ben stabile grazie a uno speciale sportello in vetro resistente al calore. Il vetro non soltanto aumenta il valore estetico del focolare, ma consente anche un piacevole effetto creato dal passaggio del calore per irradiazione. La vetrata impedisce allo stesso tempo la caduta di scintille dal legno che brucia e la fuoriuscita di fumi nel locale. Il fondo della fornace è generalmente costituito da una griglia estraibile in ghisa. Davanti alla griglia è di solito collocata una barriera che impedisce la caduta e lo spostamento di combustibile verso lo sportello (vetrata anteriore) oppure un elemento in lamiera o ceramica. Nelle fornaci con griglia al di sotto della griglia stessa si trova un apposito spazio per il cassetto della cenere. In alcuni tipi è possibile impostare il bocchettone del condotto fumi sia per la canna superiore che posteriore. I termocamini sono realizzati con versione a doppio strato di copertura. Lo spazio tra gli strati di copertura è impiegato per il riscaldamento dell'aria. Lo strato interno è munito nella sua parte superiore di sfiate per l'aria riscaldata. Lo strato esterno può essere caratterizzato da ceramica o pietra per mettere in risalto il design e per migliorare le proprietà di accumulo di calore dei termocamini. In alcuni tipi di termocamini la struttura a doppio strato di copertura è adattata al riscaldamento TUV con la possibilità di collegamento ad impianti di riscaldamento standard. Questi termocamini possono essere dotati di un sistema di raffreddamento a loop contro il surriscaldamento in caso di black-out di corrente.

I termocamini dotati di immissione separata di aria di combustione primaria e secondaria sono muniti di appositi elementi di comando. L'aria primaria è immessa direttamente nel combustibile che arde (solitamente attraverso il cassetto della cenere e la griglia); quest'aria serve per la reazione di combustione primaria. L'aria secondaria sostiene la combustione dei gas infiammabili residui nei fumi, in modo da aumentare la potenza termica del dispositivo, con inoltre un contributo significativo alla riduzione della quantità di sostanze inquinanti che si sprigionano nell'atmosfera. L'aria secondaria affluisce principalmente nello spazio al di sopra del combustibile che arde. Grazie alla presenza dell'aria secondaria si verifica il fenomeno del cosiddetto "rotolamento" (trascinamento) dell'aria fredda lungo la parte interna del vetro frontale. Questo processo impedisce anche l'annerimento del vetro. Allorché l'aria primaria è socchiusa o completamente chiusa, l'aria secondaria partecipa anche alla combustione primaria. L'aria primaria non va lasciata completamente aperta durante la fase di riscaldamento, quando il tiraggio del camino è ancora basso. Una volta riscaldato il camino è possibile socchiudere l'immissione dell'aria primaria fino a chiuderla completamente (in base alla prestazione

richiesta dalla stufa). Per ridurre la potenza del termocamino è possibile limitare anche la dose di combustibile oppure il tiraggio del camino mediante l'installazione di valvole di tiraggio (rubinetto d'arresto manuale nel condotto fumi che chiude il passaggio dell'aria fino a un massimo del 75%). Questo accorgimento è consigliato soprattutto in caso di tiraggio del camino intorno o al di sopra di 20Pa. L'arresto secondario serve per chiudere completamente la stufa quando non è utilizzata. Il focolare e il coperchio del cassetto della cenere devono essere sempre chiusi, tranne che nelle fasi di messa in servizio, riempimento del combustibile ed eliminazione dei residui solidi della combustione (al fine di evitare lo sprigionarsi di fumi nell'ambiente).

Alcuni termocamini sono dotati di uno scambiatore ad accumulo termico, un dispositivo volto ad incrementare l'efficienza della stufa e quindi a sfruttare al massimo l'energia del combustibile.

Alcuni termocamini sono realizzati già con afflusso centralizzato di aria (ACA). Ciò permette che l'aria destinata alla combustione affluisca nella camera di combustione dall'esterno, dall'anticamera, dai locali tecnici, ecc. I termocamini con ACA non sono dipendenti dalla quantità di aria nell'ambiente riscaldato. Contribuiscono pertanto al mantenimento di un clima gradevole nella vostra casa e riducono anche le spese energetiche (in casa non si consuma l'aria già una volta riscaldata).

I termocamini con CPV sono assolutamente indicati per l'installazione in case a basso consumo energetico. **Per aumentare il confort è possibile aggiungere la regolazione elettronica della combustione al sistema di riscaldamento di alcune stufe con ACA. Questo sistema** permette inoltre di prolungare il processo di combustione e la frequenza delle ricariche di legna, aumentando la sicurezza dell'impiego e limitando le perdite economiche nella fase di riscaldamento e surriscaldamento della stufa (la valvola dell'afflusso centralizzato dell'aria è comandata da un'unità di comando e da un servomotore a seconda delle date fasi di combustione e temperatura di uscita dei fumi).

Avvertimento: I termocamini non sono delle stufe ad irradiazione continua e prevedono interruzioni periodiche dell'impiego, specie a causa dello svuotamento del cassetto della cenere (che va effettuato solo a ceneri fredde).

3. Norme di sicurezza

I termocamini possono essere utilizzati in ambienti normali ai sensi della norma ČSN 33 2000-3/1995. In caso di modifica all'ambiente con possibilità di incendi anche temporanei o di esplosioni (per esempio in caso di applicazione di linoleum, PVC, durante lavori in cui si utilizzano materiali di rivestimento ecc.) è necessario provvedere puntualmente a mettere fuori servizio il termocamino prima ancora che si possano creare condizioni di pericolo. Il termocamino può essere impiegato soltanto dopo aver ben aerato l'ambiente (il modo migliore è creando correnti d'aria).

Durante l'impiego è necessario assicurare l'afflusso di una quantità sufficiente di aria di combustione nonché di aria destinata all'aerazione dell'ambiente, soprattutto quando il termocamino è impiegato simultaneamente ad altri dispositivi termici (da 8 a 15m³ circa per bruciare 1 kg di combustibile)! Se le porte e le finestre sono ben chiuse senza perdite d'aria, le suddette condizioni non vengono comunque ad essere così indispensabili! Questo problema è risolto dal sistema ACA, collegato ad un locale separato. Allo stesso tempo bisogna stare attenti a non far intasare la griglia di regolazione dell'aria di combustione, aerazione e riscaldamento. Quando si effettua la ricarica di combustibile lo sportello va aperto sempre delicatamente. In questo modo si eviterà la fuoriuscita di fumo e cenere nell'ambiente. I termocamini richiedono interventi e monitoraggio occasionali.

Per l'accensione e per la fase di riscaldamento non è consentito utilizzare liquidi infiammabili! Si fa inoltre divieto di bruciare qualsiasi tipo di materiale plastico, legna ricoperta o intrisa di leganti chimici (compensato, ecc.) o rifiuti domestici non separati contenenti residui plastici ecc. (ai sensi della legge 201/2012).

Durante la fase di riscaldamento fare attenzione a non lasciare che i bambini manipolino o siano troppo vicini al termocamino. Le operazioni sui termocamini possono essere eseguite solo da una persona adulta!

Mentre il termocamino è in funzione tutte le varie manopole e pulsanti vanno manipolati attraverso tenaglie, gancetti o guantone termoresistente (presina) – v'è infatti pericolo di ustione! Durante il funzionamento e per tutto il tempo in cui il termocamino è ancora caldo è vietato appoggiare sul termocamino eventuali oggetti in materiale infiammabile che potrebbero causare incendi. È necessario essere particolarmente attenti durante la

fase di manipolazione del cassetto della cenere ed eliminazione della cenere calda, dato che si rischia di rimanere ustionati. La cenere calda non può essere a contatto con oggetti infiammabili - per esempio non va mai scaricata in contenitori di rifiuti urbani.

Nell'utilizzo stagionale e in caso di cattivo tiraggio o condizioni climatiche avverse, è necessario dedicare particolare attenzione alla fase di messa in servizio del termocamino. Dopo il periodo di interruzione, prima di riaccendere, è necessario controllare che non si siano intasate le vie dei fumi.

Nella fase di utilizzo ed installazione dei termocamini è necessario rispettare le norme di sicurezza secondo ČSN 06 1008/1997, soprattutto:

3.1 Distanze di sicurezza:

3.1.1 Distanze di sicurezza tra il termocamino ed eventuali materiali infiammabili

In fase di installazione del termocamino in ambienti con presenza di oggetti infiammabili appartenenti alla classe di infiammabilità B, C1 a C2 è necessario rispettare la distanza di sicurezza prevista nella norma ČSN 06 1008/1997 (dallo sportello 80cm e nelle altre direzioni 20cm), si veda la Scheda tecnica e la Targhetta di produzione, salve le disposizioni diverse del produttore.

Nel caso in cui il termocamino sia installata in ambienti con presenza di oggetti infiammabili appartenenti alla classe C3 è necessario raddoppiare le suddette distanze. Per informazioni sul livello di infiammabilità di alcuni materiali edili si rimanda alla norma 73 0823/1983. Qualora non fosse possibile rispettare la distanza di sicurezza tra la stufa e le sostanze infiammabili come previsto dalla norma, è necessario utilizzare una barriera di protezione come da 4.4.1 ČSN 06 1008/1997.

Classificazione dei livelli di infiammabilità dei materiali edili

A non infiammabili granito, gres, cementi, mattoni, piastrelle in ceramica, intonaci spec.

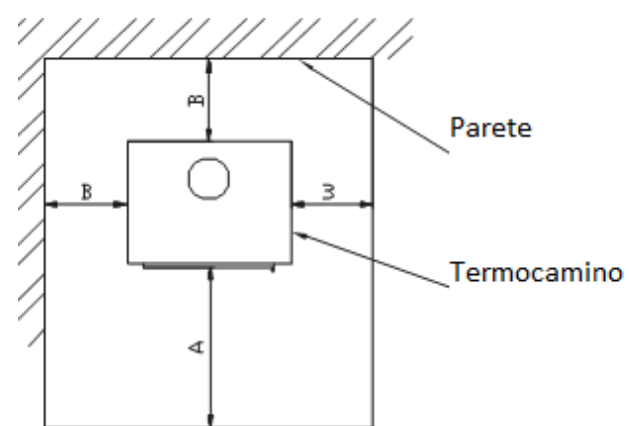
B molto difficilmente infiammabili akumin, heraklit, lihnos, itaver

C1 difficilmente infiammabili legno di latifoglie, compensato, sirkoklit, formica carta, umakart

C2 moderatamente infiammabili pannelli di particelle, solodur, lastre in sughero, gomma, materiali da pavimentazione

C3 altamente infiammabili tavole in fibra di vetro, polistirolo, poliuretano

Fig. 1



Distanze minime:

A > 80cm

B > 20cm

3.1.2 Distanza di sicurezza tra condotto di evacuazione dei fumi e materiali infiammabili o strutture edilizie

La distanza di sicurezza minima tra il rivestimento degli stipiti delle porte o altre strutture architettoniche con simili funzioni in materiale infiammabile e l'installazione del condotto (compreso isolamento) è pari a 20cm. La distanza minima dagli altri componenti strutturali in materiale infiammabile è pari a 40cm (vedi fig. 2) ai sensi della norma ČSN 06 1008/1997. Trattasi di materiale edile di classe di infiammabilità B, C1 e C2 ai sensi della

norma ČSN EN 13501-1/2010 (vedi tabella n.1). Questa regola vale anche per le pareti e soprattutto per i soffitti con intonaco con base infiammabile - per esempio assi, pannelli ecc.! Qualora non fosse possibile rispettare le suddette distanze, è necessario comunque prevenire il pericolo d'incendio ricorrendo ad apposite misure tecnico-strutturali, rivestimenti non infiammabili, isolamenti e barriere resistenti al calore.

3.2 Protezione della pavimentazione

Se il termocamino non è installato su una superficie che non sia al **100%** non-infiammabile, è necessario collocarla su una base isolante non-infiammabile, per esempio in lamiera (spessore min. 2 mm), ceramica, vetro, pietra, in modo che la temperatura della superficie infiammabile (ai sensi della norma ČSN 73 4230/2004) non superi i **50°C** durante il funzionamento.

In base a 5.1.3.3 ČSN 06 1008/1997 la base isolante deve superare in dimensioni il focolare di almeno

- **30cm** in direzione perpendicolare allo sportello del termocamino.
- **10cm** in direzione parallela allo sportello del termocamino.

È vietato collocare oggetti in materiale infiammabile sul termocamino o a distanza inferiore alla distanza di sicurezza dal termocamino.

3.3 Misure in caso di incendio nel camino:

Con il normale funzionamento (e soprattutto se si utilizza combustibile umido) si creano dei depositi di fuliggine e catrame nel camino. Se si trascurano i controlli regolari e la pulizia del camino (**come da decreto governativo n. 91/2010 Racc. del 1.3.2010 che sostituisce il decreto n. 111/1981 Racc.**) aumenteranno i rischi di incendio.

Nel caso in cui la fuliggine e il catrame nel camino prendano fuoco, procedere come segue:

- non estinguere mai con acqua poiché si formerebbe una gran quantità di vapore con conseguente rottura del camino
- se possibile, si consiglia di cospargere sabbia asciutta nel focolare e quindi estinguere il fuoco
- chiudere tutte le entrate di aria per la combustione; se possibile coprire il camino, senza che però il fumo di ritorno si accumuli nell'ambiente domestico
- contattare il corpo dei vigili del fuoco locale per valutare se è necessario o meno chiamare il pronto intervento dei pompieri
- finché le fiamme nel camino non si sono estinte, non lasciate la casa, ma controllare continuamente la temperatura del camino e il comportamento del fuoco che brucia
- una volta cessato l'incidente, prima di riaccendere il caminetto, contattare il servizio spazzacamini per valutare lo stato del camino nonché il produttore del termocamino per un'ispezione allo stesso.

4. Istruzioni per l'assemblaggio

Avvertimento: Durante l'assemblaggio del termocamino è necessario rispettare tutte le prescrizioni locali, comprese quelle relative alle norme nazionali ed europee per questo tipo di dispositivi, e in particolare:

ČSN 73 4230/2004 – Caminetti con apertura/chiusura del focolare

ČSN EN 13229/2002+A1/2003+A2/2005 – Dispositivi integrati per il riscaldamento e inserti camino a combustibile solido

ČSN EN 13240/2002+A2/2005 – Dispositivi a combustibile solido per il riscaldamento di ambienti abitati

ČSN 73 4201/2010 – Camini e canne fumarie – Progettazione, esercizio e collegamento dei dispositivi a combustibile

ČSN EN 1443/2004 - Camini – Requisiti generali

ČSN EN 13501/2010 – Classificazione antincendio dei prodotti per l'edilizia e delle strutture dei fabbricati

ČSN 06 1008/1997 – Dispositivi di sicurezza antincendio

4.1 In generale

I termocamini devono essere installati su superfici aventi capacità di carico adeguata. Se le condizioni strutturali non soddisfano questa condizione indispensabile, è necessario prendere opportune misure per rispettare tale requisito (per esempio utilizzo di una base di distribuzione del carico). In fase di installazione è necessario assicurare un adeguato spazio di accesso per la pulizia del termocamino, del condotto fumi e del camino, a meno che non sia possibile effettuare la pulizia da un'altra zona (per esempio dal tetto oppure da apposito sportello).

4.2 Collegamento al camino

Prima di assemblare il termocamino chiuso è necessario eseguire opportuni calcoli volti ad assicurare che la struttura del camino (per la sua fattura, dimensioni degli sfiati e altezza utile) sia conforme alla potenza nominale del termocamino.

Un presupposto essenziale per il corretto funzionamento del termocamino è un buon camino (sezione minima, tiraggio del camino, guarnizioni, ecc.). Pertanto è necessario consultare il servizio spazzacamino prima ancora di installare il termocamino. I valori relativi al camino sono riportati nella scheda tecnica allegata. Se il tiraggio del camino è troppo alto, è opportuno installare un'adeguata valvola o un regolatore di tiraggio del camino. Un tiraggio troppo elevato può causare problemi durante il funzionamento, per esempio combustione troppo intensa ed elevato consumo di combustibile, con possibili conseguenti danni permanenti al termocamino.

L'altezza utile minima del camino per lo scarico dei fumi dal termocamino è **5m** (con misurazione dall'anello fino all'uscita del camino). L'ingresso del camino deve essere munito di apposito anello di rinforzo. Per il collegamento alla canna fumaria consultare il produttore della canna fumaria. La canna fumaria deve essere fatta passare ad almeno **5cm** al di sotto del soffitto. Il bocchettone di scarico va collegato al camino secondo il percorso più corto possibile, in modo che la lunghezza delle vie dei fumi sia pari a massimo **1/4** dell'altezza utile del camino (ovvero **1,5m**). I tubi del condotto fumi e il tubo a gomito vanno collegati in maniera ben serrata tra di loro (con sovrapposizione), in maniera tale che i giunti siano sempre posizionati in conformità con il flusso dei fumi – o altrimenti con collegamento testa a testa mediante anelli di giunzione. Se il pezzo di giunzione passa attraverso elementi edilizi realizzati in materiale infiammabile è necessario adottare misure di protezione ai sensi della norma ČSN 06 1008/1997. Secondo la norma il condotto fumi deve salire in direzione della canna fumaria seguendo il flusso dei fumi, con un angolatura minima di **3°**. Fattori molto importanti sono il serraggio e la robustezza dei giunti. Il camino e il collegamento della stufa devono essere conformi alla norma ČSN 73 4201/2010. Il rivestimento del camino (alla più alta temperatura di esercizio del caminetto) non può avere una temperatura superiore a **52°C**. La sezione degli sfiati del condotto fumi non può essere superiore alla sezione dello sfiato del camino e non può neanche restringersi in direzione del camino. Se dai calcoli risulta che la sezione dello sfiato del condotto fumi e del camino può essere inferiore alla sezione del bocchettone di scarico fumi del termocamino, si ridurrà la sezione del condotto fumi immediatamente dietro al bocchettone fumi del termocamino (con una leggera inclinazione o scarto). Il condotto fumi flessibile in mat. come da tab. **A.1.** può essere utilizzato soltanto in locali dove è possibile assicurare un controllo come da **7.2.1 ČSN 73 4201/2010**; se il condotto fumi non passa attraverso spazi liberi, è necessario garantire il relativo controllo ai sensi di **7.2.5 ČSN 73 4230/2004**. I condotti fumi verticali possono essere utilizzati soltanto nei casi riportati in **8.3.4 e 8.3.5 ČSN 73 4230/2004**.

Il termocamino può essere collegato ad uno sfiato comune con eventuali apparecchi a gas **in camini a più strati secondo la norma ČSN 73 4201/2010**.

Installando le stufe della società ROMOTOP spol. s r.o. nella RFG in ottemperanza alla disposizione dell'art. **6.2.2** della norma **DIN 18 896** è possibile collegarle alla canna fumaria comune.

5. Manuale d'uso

5.1 Combustibile

Nei termocamini è possibile bruciare soltanto legna o bricchetti in legno che siano conformi alla legge **201/2012**. Ai fini del raggiungimento dei parametri nominali della stufa si consiglia di utilizzare legna secca di diametro **5-8cm**, lunghezza **20-30cm** e umidità inferiore al **20%** (valore ottimale **10%**). Eventuali scaglie e pezzetti minuti di legno possono essere impiegati solo in fase di accensione. Il grado di secchezza consigliato per il legno viene raggiunto immagazzinando la legna per almeno due anni in un ambiente coperto e ventilato.

Utilizzando i termocamini come fonte di riscaldamento è necessario rispettare la potenza nominale riportata nella scheda tecnica, ovvero combustione della data quantità di combustibile nell'arco di **1 ora**. In caso di sovraccarico eccessivo e di lunga durata si rischia di danneggiare il termocamino.

Come combustibile non utilizzare mai liquidi infiammabili, coke, carbone o rifiuti come: pannelli in compensato, materiale plastico, sacchetti, legna bagnata oppure solo trucioli di legno segatura o pellet!

!!! La combustione di questi materiali non solo inquina l'ambiente arrecando danni a noi tutti, ma rovina anche la stufa e il camino !!!

5.2 Prima messa in funzione del termocamino

Precedentemente alla prima messa in funzione è necessario eliminare eventuali etichette dal vetro ed eventuali accessori nel cassetto della cenere o nel focolare, compresi ovviamente elementi di fissaggio per il trasporto. Seguendo la figura nella scheda tecnica verificare che i pannellini per il direzionamento del tiraggio, i mattoni in chamotte e la sbarra siano ben posizionati (è possibile infatti che durante il trasporto o in fase di installazione si siano spostati e non siano più nella posizione corretta). Se si riscontra un determinato difetto di posizione, provvedere a correggerlo; altrimenti sarà messo a repentaglio il corretto funzionamento della stufa. Una volta installata la stufa ed effettuato il collegamento al camino (eventualmente anche il collegamento dello scambiatore alle condutture dell'acqua calda e il suo riempimento con vettore termico) procedere con l'accensione e far bruciare lentamente per almeno un'ora. Prima e durante la prima accensione lasciare lo sportello della stufa e il cassetto della cenere leggermente aperti (**circa 1-2mm**) per evitare che il materiale isolante non si attacchi alla vernice. Per il trattamento di superficie del termocamino è impiegata vernice a prova di calore che alla prima accensione (dopo un temporaneo ammorbidimento) finisce per indurirsi. Durante la fase di ammorbidimento attenzione all'aumentato rischio di danni alla superficie verniciata se vi si appoggiano le mani o altri oggetti. Durante la fase della prima accensione il termocamino deve "bruciare" con piccole fiamme, con quantità minori di combustibile e a temperature più basse del solito. Tutti i materiali devono abituarsi al carico termico. Se questa fase è eseguita con la dovuta cautela si impedirà la comparsa di screpolature nei mattoni in chamotte, danni alla vernice e deformazioni dei materiali di costruzione dell'inserito. La fase di indurimento della vernice del termocamino è caratterizzata da un cattivo odore temporaneo, che dopo un po' scomparirà del tutto.

Pertanto durante questa fase è necessario assicurare una buona aerazione del locale ed eventualmente evitare la presenza di animali domestici di piccola taglia o uccelli nei locali contaminati dai vapori della vernice; durante questa fase si consiglia anche di spegnere il dispositivo di rigenerazione dell'aria degli acquari.

5.3 Accensione del fuoco e riscaldamento

1. Nei termocamini con griglia – nell'alloggiamento del focolare collocare dapprima la carta e su di essa i pezzetti di legno. Per accendere il fuoco si possono utilizzare prodotti accendifuoco tipo diavolina. Una volta acceso il fuoco lasciar bruciare ricordandosi di tenere aperti gli elementi di regolazione dell'aria. **Si fa divieto di**

utilizzare sostanze infiammabili liquide per accendere il fuoco (benzina, petrolio ecc.)! Non appena il fuoco comincia ad ardere bene e il tiraggio è sufficiente, si possono inserire i pezzi di legno più grandi oppure i bricchetti senza temere di far troppo fumo. Inserire la quantità stabilita di combustibile a seconda della potenza nominale del termocamino.

2. Nei termocamini senza griglia – per la combustione si utilizza soltanto l'aria secondaria; pertanto bisogna dapprima inserire la legna nel focolare, poi i legnetti piccoli e infine i ceppi e la carta. Una volta acceso il fuoco lasciar bruciare ricordandosi di tenere aperti gli elementi di regolazione dell'aria. **Si fa divieto di utilizzare sostanze infiammabili liquide per accendere il fuoco (benzina, petrolio ecc.)!** Non appena il fuoco comincia ad ardere bene e il tiraggio è sufficiente, si possono inserire i pezzi di legno più grandi oppure i bricchetti senza temere di far troppo fumo. Inserire la quantità stabilita di combustibile a seconda della potenza nominale del termocamino.

Il consumo di combustibile è sempre indicato nella scheda tecnica. L'intensità della combustione va regolata mediante gli appositi elementi di comando dell'immissione d'aria o eventualmente limitando il tiraggio nel camino, se v'è una valvola fumi installata. Un'ingente quantità di combustibile o un forte tiraggio e immissione d'aria può causare surriscaldamento e danni al termocamino. Un tiraggio troppo basso causa l'annerimento del vetro e l'eventuale fuoriuscita di fumo nel locale quando si va ad aprire lo sportello per reinserire legna nel termocamino.

Avvertimento: Lo sportello del focolare deve essere sempre chiuso, fatta eccezione per la fase di messa in funzione, ricarica del combustibile ed eliminazione delle ceneri. Dopo l'interruzione dell'uso, prima di ripetere l'accensione è necessario controllare la viabilità e la pulizia del condotto fumi, camino e luogo di combustione. In generale il riscaldamento e il raffreddamento dell'inserito camino è accompagnato da un effetto acustico che non è assolutamente da considerare un difetto

5.4 Aggiunta del combustibile

Al fine di evitare la fuoriuscita dei gas dei fumi nel locale durante la fase di ricarica della legna, si consiglia: circa 5-10 secondi prima di aprire lo sportello del focolare aprire completamente i regolatori d'aria, quindi aprire di poco lo sportello con molta cautela, attendere alcuni secondi affinché i fumi vengano aspirati nel camino e infine aprire completamente lo sportello. Dopo aver aperto lo sportello è sempre necessario prestare molta attenzione poiché possono cadere tizzoni ardenti. Dopo l'inserimento del combustibile richiudere lo sportello del focolare. Una volta che il fuoco arde bene (senza fiamma che fa fumo), riposizionare il regolatore nella posizione originaria. La quantità di combustibile inserito deve corrispondere al consumo orario indicativo per il dato termocamino (vedi scheda tecnica). In caso di surriscaldamento si possono registrare danni permanenti alla struttura della stufa.

Avvertimento: Per evitare l'eccessiva fuoriuscita di gas nel locale durante la fase di ricarica della legna riaggiungere combustibile dopo la sua totale combustione sulla brace ancora ardente.

5.5 Impiego nel corso dei periodi di transizione

Durante i periodi di transizione (ovvero a temperature esterne superiori a **15°C**, in giornate di pioggia e umide, con forti ventilate) si possono verificare problemi con il tiraggio del camino (estrazione dei fumi dal termocamino). Durante questo periodo è opportuno far funzionare il termocamino con la quantità più esigua possibile di combustibile, in modo tale che – aprendo l'immissione d'aria – sia possibile migliorare la combustione e quindi anche il tiraggio del camino.

Consiglio: Durante questi periodi, per effetto delle caratteristiche del tiraggio del camino, si può creare un intasamento atmosferico a livello della bocca del camino. Questo fenomeno può provocare fumo nel locale al momento dell'accensione del combustibile. Si consiglia pertanto - prima di accendere il fuoco - di lasciar prima ardere completamente un po' di carta, preferibilmente nella parte alta del focolare. Il fumo che ne fuoriesce, pur

apparentemente trascurabile, è comunque sufficiente per perforare e quindi eliminare l'intasamento atmosferico. Quindi si può tranquillamente accendere la carta (o la diavolina) poiché ora è garantito il giusto passaggio d'aria anche con camino umido.

Durante questi periodi è anche possibile riscaldare come nei termocamini senza griglia (senza cassetto della cenere).

5.6 Estrazione della cenere

Il cassetto della cenere deve essere svuotato già quando è metà pieno, in modo che il monte di cenere non si avvicini troppo alla griglia provocando danni a causa del surriscaldamento. Allo stesso tempo la cenere ostacolerebbe l'afflusso d'aria necessaria per la combustione. Il cassetto della cenere va svuotato quando è freddo, preferibilmente durante la fase di preparazione di un'altra accensione. Per la pulizia del cassetto della cenere o del focolare senza cassetto della cenere – sempre a freddo – si può benissimo utilizzare un aspirapolvere idoneo per l'aspirazione di cenere con filtro per impurità fini. La cenere prodotta dalla legna bruciata può essere compostata oppure usata come fertilizzante. La cenere va collocata in contenitori chiusi di materiale non infiammabile.

Avvertimento: Prima di svuotare il cassetto della cenere verificare che non vi siano residui di carburante ardenti che potrebbero incendiare il contenitore dei rifiuti.

Avvertimento: Per alcuni tipi di termocamini il cassetto della cenere è collocato in un carter sotto la griglia e non è possibile estrarlo lateralmente. In questo caso il cassetto può essere estratto solo quando la stufa è spenta e fredda. Per accedere al cassetto della cenere bisogna alzare la griglia.

Prestare particolare attenzione alla fase di rimozione della cenere calda!

5.7 Pulizia del vetro

I fattori importanti per mantenere pulito il vetro sono combustibile adeguato, afflusso sufficiente di aria di combustione, buon tiraggio del camino e infine la modalità di utilizzo e funzionamento del termocamino. A riguardo consigliamo di applicare solo uno strato di combustibile in modo che la legna sia posizionata nel focolare nella maniera più omogenea possibile e in modo che essa sia il più lontano possibile dal vetro. Lo stesso principio vale anche per i bricchetti (distanza tra loro da 5 a 10 mm). Nel caso in cui il vetro si sporchi durante il riscaldamento consigliamo di aumentare l'intensità della combustione aprendo il regolatore dell'aria; in questa maniera gran parte del vetro si pulirà da sola.

Se il vetro è appannato e sporco per via del fumo, lo si può pulire (a freddo) con fogli di giornale o panno umido intriso nella cenere del legno. In genere la pulizia dei vetri delle stufe avviene con l'utilizzo di detersivi liquidi. Tuttavia, indipendentemente dalla composizione del detergente e dalla sua interazione con i residui di combustione (particelle di cenere, ecc ...), questi possono in molti casi danneggiare le guarnizioni delle stufe e/o il vetro e/o il colore decorativo del vetro della stufa.

Il produttore non si assume alcuna responsabilità per danni derivanti dall'utilizzo di prodotti chimici.

6. Pulizia e manutenzione

I termocamini sono un prodotto di qualità e in condizioni di normale impiego non si verifica nessun danno rilevante. Consigliamo di controllare con attenzione e pulire i termocamini e i condotti dei fumi prima e dopo la stagione invernale.

La pulizia va sempre effettuata a termocamino freddo!

6.1 Pulizia del termocamino / smontaggio chamotte

In fase di pulizia è necessario rimuovere i residui rimasti nel condotto fumi e nel vano della combustione. Le parti rovinare o non correttamente sistemate del rivestimento in chamotte vanno riparate, preferibilmente sostituite. La completezza del rivestimento in chamotte va monitorata anche durante la stagione di utilizzo della stufa. Gli spazi tra i singoli mattoni in chamotte rispondono a criteri di dilatazione termica al fine di impedire la formazione di cricche nei mattoni; pertanto questi spazi non possono essere assolutamente colmati per esempio con materiale di riempimento (come si era soliti fare nelle vecchie stufe a combustibile solido). **I mattoni in chamotte che presentano screpolature non perdono la propria funzione, purché non siano completamente sgretolati!** In fase di pulizia consigliamo di estrarre dal termocamino le barriere di direzionamento del tiraggio – se presenti. In questo modo si accede più facilmente allo spazio al di sopra di esse. La pulizia del termocamino (eccetto il vetro) si effettua senza preparati a base di acqua, per esempio mediante aspirazione oppure con spazzole d'acciaio. Non è consentito nessun tipo di modifica al termocamino. Utilizzare solo pezzi di ricambio approvati dal produttore. Smontaggio degli chamotte (vedi Camera chamotte). Le superfici di attrito delle cerniere dello sportello e del meccanismo di chiusura vanno di tanto in tanto lubrificate con grasso al carbonio o altro lubrificante per alte temperature. Chiudere il termocamino con i rispettivi arresti, se fuori servizio.

6.2 Pulizia del camino

Ciascun utente di stufe a combustibile solido ha l'obbligo di controllare regolarmente e pulire il camino **ai sensi del decreto governativo n. 91/2010 Racc. del 1.3.2010 che sostituisce il decreto n. 111/1981 Racc.**

7. Modalità di smaltimento della confezione e del prodotto dismesso

Ai sensi della legge n. 125/1997 Racc. e normative collegate, si consiglia la seguente modalità di smaltimento della confezione e del prodotto dismesso che ormai non è più utilizzabile.

Confezione:

- le parti in legno della confezione vanno bruciate come combustibile per il riscaldamento
- la confezione in plastica va gettata in un contenitore per la raccolta differenziata
- le viti e i supporti vanno consegnati al deposito rottami
- il sacchetto con separatore dell'umidità dell'aria va gettato nel rispetto della raccolta differenziata

Prodotto dismesso non più utilizzabile:

- smontare il vetro e gettarlo in un contenitore per la raccolta differenziata
- le guarnizioni e i pannelli in chamotte vanno gettati tra i rifiuti solidi urbani
- le parti metalliche vanno consegnate al deposito rottami

8. Riparazioni e reclami

Le eventuali riparazioni di assistenza e in garanzia sono direttamente a cura dell'azienda produttrice o assicurate attraverso il rivenditore. In caso di reclamo è obbligatorio presentare il certificato di garanzia, un documento che attesti l'acquisto del termocamino e il protocollo di consegna; inoltre bisogna specificare il proprio indirizzo, numero di telefono e una descrizione del guasto. All'atto dell'acquisto è proprio interesse richiedere al rivenditore un certificato di garanzia compilato in maniera ben leggibile e il protocollo di consegna. La modalità e il luogo di riparazione saranno decisi (dopo valutazione del guasto) presso il reparto assistenza; quindi saranno proposte adeguate misure soggette però a consultazione con il proprietario del termocamino. In caso di sostituzione del termocamino o annullamento del contratto di compravendita si applicano le rispettive disposizioni del Codice Civile e del regolamento reclami.

CERTIFICATO DI GARANZIA

CONDIZIONI DI RECLAMO E GARANZIA DELLA DITTA ROMOTOP spol. s r.o. VALIDE PER L'ACQUIRENTE (CONSUMATORE)

1. Le presenti condizioni di reclamo e garanzia sono elaborate ai sensi dei rispettivi paragrafi del Codice Civile e del Codice di Tutela del Consumatore.
2. Su richiesta del consumatore il rivenditore ha l'obbligo di rilasciare un documento che attesti l'acquisto del prodotto o la fornitura del servizio, con specifica della data della vendita del prodotto o fornitura del servizio, tipo di prodotto o servizio, prezzo del prodotto o servizio e dati identificativi del rivenditore – nome e cognome o ragione sociale, o eventualmente nome commerciale del rivenditore, numero di identificazione, sede legale o luogo dell'esercizio – salvo differenti disposizioni impartite da normative specifiche.
3. Il prodotto ha una garanzia di **24 mesi**. La garanzia inizia a decorrere dal momento del ritiro dell'oggetto da parte del consumatore. Laddove sia necessaria la messa in servizio da parte di una ditta autorizzata o specializzata il periodo di garanzia inizia a decorrere dalla data della messa in servizio, purché l'acquirente abbia provveduto ad ordinare la messa in servizio entro tre settimane dal ritiro della merce ed abbia prestato regolare e puntuale collaborazione nel servizio fornito.
4. La garanzia si applica a tutti i difetti di produzione e i difetti del materiale che sono venuti alla luce in maniera ben dimostrabile nel corso del valido periodo di garanzia.
5. La garanzia non si applica in caso di usura della merce causata dal suo normale utilizzo - e inoltre:
 - per i guasti originatisi per via di impiego o interventi scorretti o non idonei, per via di collegamento a un camino con dimensioni non sufficienti o con cattivo tiraggio, per via di utilizzo non consono o mancata osservanza delle condizioni d'uso e manutenzione (vedi Manuale d'uso).
 - per i difetti causati da danni meccanici.
 - se il prodotto è immagazzinato in locali umidi e non coperti o se è utilizzato in ambienti le cui condizioni non corrispondono a quelle di un appartamento.
 - per i danni conseguenti a catastrofi naturali, eventi meteorologici, danneggiamenti violenti.
 - in caso di danneggiamento delle etichette di garanzia e della targhetta con i numeri di matricola.
 - in caso di danni alla merce verificatisi durante il trasporto (in caso di trasporto a propria cura). In caso di trasporto a cura di servizio esterno la questione viene risolta con un controllo sul posto.
 - se i dati sul certificato di garanzia o sul documento d'acquisto sono diversi rispetto ai dati sulla targhetta di produzione.
6. Per il materiale di consumo utilizzato in fase di riparazione o sostituzione di parte della stufa non si applica il periodo di garanzia.
7. I reclami vanno presentati presso il rivenditore dove è stata acquistata la merce. Se però nel certificato di garanzia è riportato un altro soggetto incaricato delle riparazioni più vicino al rivenditore o all'acquirente, l'acquirente ha diritto a far eseguire la riparazione presso il soggetto incaricato dell'esecuzione della riparazione in garanzia. Il soggetto incaricato della riparazione ha l'obbligo di eseguire la riparazione entro la scadenza concordata all'atto della vendita della merce tra il rivenditore e l'acquirente.
8. Il rivenditore ha l'obbligo di rilasciare al consumatore una dichiarazione scritta attestante la data in cui il consumatore ha esercitato il proprio diritto, il contenuto del reclamo e la modalità di evasione del reclamo richiesta dal consumatore; inoltre deve richiedere sempre una certificazione scritta (entro 30 giorni) in merito all'esecuzione della riparazione e alla data e modalità di evasione del reclamo, compreso attestato di esecuzione della riparazione e relativa durata, o eventualmente dichiarazione scritta di reiezione del reclamo. Il suddetto obbligo si applica anche ad altri soggetti incaricati dell'esecuzione della riparazione.
9. Durante i primi 6 mesi a partire dall'acquisto il reclamo sarà evaso come incongruenza con il contratto di compravendita ai sensi della disposizione § 616 del Codice Civile. Nei mesi successivi del periodo di garanzia si procederà come da § 622 del Codice Civile a seconda del fatto se si tratta di un guasto riparabile o irreparabile.
10. I reclami vengono accolti ed evasi solo e soltanto con l'acquirente.
11. Nel consegnare la merce in reclamo l'acquirente ha l'obbligo di comunicare o esibire la designazione del tipo di prodotto e una descrizione dettagliata del difetto (indicando per esempio in quale modalità e come si manifesta il guasto, quanto tempo dopo l'accensione, descrizione dell'impiego della merce prima della comparsa del guasto ecc.).
12. Quando esercita il diritto di reclamo l'acquirente ha l'obbligo di dimostrare che il reclamo viene presentato presso il rivenditore che ha venduto il prodotto e che lo stesso è in garanzia. Ai fini dell'attestazione delle suddette circostanze si consiglia vivamente di presentare:
 - documento attestante la vendita
 - certificato di garanzia controfirmato
 - protocollo di consegna controfirmato
13. Per le altre procedure e circostanze non espressamente menzionate nelle presenti condizioni di reclamo e garanzia si applicheranno le rispettive disposizioni del Codice Civile e del Codice per la Tutela del Consumatore.

PROTOCOLLO DI CONSEGNA

Committente:.....

Indirizzo di realizzazione:

Realizzatore (soggetto responsabile della realizzazione):

Elenco dei documenti:

Elenco dei difetti e delle incompletezze:

Elenco delle divergenze rispetto al progetto (documentazione approvata):

Concessione edilizia n.:

Del giorno: Rilasciata da:.....

Supervisione tecnica dell'investitore:.....

Data di inizio della procedura di consegna:

Data di termine della procedura di consegna:

Data di sgombero completo del cantiere:

Periodo di garanzia con decorrenza dal:

Prima accensione consentita in data:

In virtù della propria firma il cliente si assume l'obbligo di provvedere alla sicurezza dell'opera presa in consegna contro possibili danni causati da persone terze!!!

Il realizzatore (firma): lì: località

Il committente (firma): lì: località

